

ALUMASC[®]
RAINWATER
GUTTERS AND DOWNPIPES



UP TO **20** YEAR FULL SYSTEM WARRANTY

12 FINISHES AVAILABLE NEXT DAY*
*For next day delivery, order must be received before 11am

infinity[®]
RAINWATER SYSTEMS

Infinity Rainwater Systems

Contents

Introduction

Contents	2
Introduction	3
Quality & Sustainability	5
Interactive PDF	6
Materials and Finishes	7
Steel Rainwater Range	8

Galvanised and Coated Steel Systems

Half Round System Components	9
Galvanized & PPC Half Round Gutters	10
Box Gutter System Components	16
Galvanized & PPC Box Gutters	17
Galvanized & PPC Circular Downpipes	20
Galvanized & PPC Hoppers	23
Galvanized & PPC Accessories	24

Copper & Zinc Systems

Copper & Natural Zinc Systems Components	26
Copper & Natural Zinc Half Round Gutters	27
Copper & Natural Zinc Circular Downpipes	31
Copper & Natural Zinc Hoppers & Accessories	33
Quartz Zinc System Components	34
Quartz Zinc Half Round Gutters	35
Quartz Zinc Circular Downpipes	37
Quartz Zinc Hoppers & Adhesives	39

Installation Guides

Box Gutter Installation Guide	40
Half Round Installation Guide	41
Circular Downpipe Installation Guide	42
Quartz Zinc Installation Guide	43

Specification

Product Storage	45
Frequently Asked Questions	46
Rainwater System Design	47
Drainage Calculator	48
NBS Specification	49
General Specification Advice	50

Recommended Viewing Settings

For optimum viewing please use Adobe Acrobat. This PDF contains clickable links and bookmarks to allow you to access the information faster. Some of these features may not work in other PDF readers.

Find out more on Page 6.



About Alumasc Water Management Solutions

For almost 90 years, Alumasc has been promoting the efficient use, retention, recycling and disposal of water. Under the Alumasc Water Management Solutions (AWMS) banner, customers benefit from a complete package of rainwater and drainage products that control the flow of rainwater throughout the entire building envelope; all supported by our unrivalled technical teams.

These well-respected solutions are delivered via established brands Alumasc Rainwater; Harmer Building Drainage; Wade Building Drainage and Gatic Civil Drainage & Access Covers. Together with the Skyline Architectural Aluminium range, they form the foundation of AWMS and present an unrivalled range of products and expertise.

The AWMS project portfolio includes hundreds of high-profile schemes throughout the UK: Canary Wharf, St Pancras Station, The Royal Albert Hall and Alder Hey Children's Hospital are just a few to have benefitted from AWMS installations.

Our aim is to focus on high quality, environmentally responsible building products within the construction industry in order to deliver first-class customer service, technical support, long-term solutions and lasting relationships.

Alumasc Rainwater is the UK's market leader of aluminium, cast iron and steel gutters and downpipes. A complete range is available to suit both contemporary and traditional architecture.

Our unique range of profiles, BBA approved powder coated finishes and made-to-order options, are designed and manufactured to the highest standard for strength, long life and durability.

Alumasc Rainwater is part of the AWMS family



Alumasc (AWMS) is a UK-based supplier of premium building products. The majority of the group's business is focussed on sustainable building products that enable customers to manage energy and water use in the built environment.

They include: **Skyline Architectural Aluminium**; **Alumasc Rainwater Gutters & Downpipes**; **Harmer Building Drainage**; **Wade Building Drainage** and **Gatic Drainage & Engineered Access Covers**.



Manufactured using the latest in material and manufacturing technology.



The Infinity Steel, Quartz Zinc, Natural Zinc & Copper Rainwater systems are manufactured in Germany using the latest in material and manufacturing technology. The Infinity range is a result of decades of continued innovation in galvanised steel rainwater systems. The systems come with up to a 20 year full system product warranty*.

Applications

- Ideal for traditional and modern buildings in both new build and refurbishment applications
- A competitive alternative to uPVC systems, with increased flow rates and longevity

Manufacture

- Manufactured to ISO 9001: 2015
- Manufactured to ISO 14001: 2015

Installation & Fixing

- Can be used as a dry joint or wet joint system depending on the product and finish selected
- Gutter lengths and angles are jointed with 'EPDM rubber sealed' connectors for fast and watertight installation
- Downpipes and offsets are push-fit with 'Swaged' ends, again for fast and watertight installation
- Stop ends are push-fit with 'EPDM rubber sealed' inserts or pre fabricated units
- Fascia brackets have wide back plates and are multi holed for fast and ultra secure fascia fixing

Features & Product

- Up to 20 year warranty
- Two gutter profiles available a deep half round and box gutter providing maximum flow rates
- Higher flow capacity on outlets due to larger inlet funnels
- Half round gutters angles are 'deep drawn' and one piece giving greater flow capacity
- Lightweight, durable and non-corrodible
- Quick and easy installation
- Fascia bracket has a larger back plate for installation ease and 4 fixing points compared to 2 on other systems
- Internally seamed downpipe gives a smooth and modern finish
- Downpipe brackets have two concealed vertical fixing points
- Low maintenance
- Pre-fabricated outlets and stop ends available to speed up installation and reduce the number of cuts and connections made

†For next day delivery, order must be received before 11am

*Depending on product finish and distance from the sea

Quality & Sustainability

In addition to compliance with environmental legislation, Alumasc is committed to developing its own measures to limit the adverse effects of its activities on the environment. To this end, Alumasc operates an environmental policy that fully integrates all aspects of company activities.



Green Economy

The Alumasc Group plc is pleased to be recognised by London Stock Exchange as contributing to the global green economy. The Mark is given to companies and funds that derive more than 50% of revenues from environmental solutions.

The Alumasc Group plc provides high-quality, low carbon, sustainable building products, systems and solutions, which help manage the scarce resources of energy and water in the built environment, and improve quality of life for the owner/occupier.



ISO 9001:2015

This certification provides a structured framework for quality management systems (QMS), enabling us to enhance their overall efficiency and effectiveness. The standard also promotes a customer-centric approach, emphasising the importance of meeting customer requirements and delivering consistent, high-quality products and services.



ISO 14001:2015

The ISO 14001 Standard is structured in such a way as to encourage improvement in all area of environmental management, ranging from up stream monitoring of raw materials supply chains to post life recycling of manufactured product. AWMS are committed to achieving improvements not only as good neighbours to the surrounds at their manufacturing plants but in the responsible sourcing of raw materials and monitoring of their impact on the environment as a whole.



Sustainability

Alumasc actively pursues sustainability in its full range of products, and, with its partners and suppliers, is committed to putting consideration for the built and wider environment at the core of all aspects of current business and future development.

Professional memberships

- For over 50 years, NBS has helped architects produce their specifications and connect them with manufacturers. NBS Source helps specifiers select products confidently and efficiently.
- Alumasc Rainwater has been a member of the Metal Gutter Manufacturers Association for a number of years now. Our membership seeks to further assist in the technical development of both our products and manufacturing processes with regards to metal rainwater systems.




Interactive PDF - Navigation Tips

A new way to navigate; if you open your PDF in Adobe Acrobat, you can click on certain elements throughout the brochure. See below for full details of what you can click on!

Galvanised & PPC Box Gutters

Discover the durability and versatility of steel box gutters. Our solutions seamlessly blend functionality and aesthetics, offering superior rainwater management for residential, commercial, and industrial structures.


3m Length



Product Code	Galvanised	Black	Anthracite Grey
120mm BXS50/3MA*	●	/BLK	/GRY

- Galvanised coated steel for permanent corrosion prevention
- Colour coated options available for
- High UV resistance (RUV-4)
- Inclusive of bead connector and union clips
- Formed from 0.6mm galvanised steel
- 3m length as standard


Fascia Bracket



Product Code	Galvanised	Black	Anthracite Grey
120mm BXS50/FB*	●	/BLK	/GRY

- Manufactured to match the box gutter profile exactly for secure connection to both gutter and structure
- Generally position at 915mm centres, 3no. per 3m length
- Manufactured from 1.25mm galvanised steel
- Maximum stability due to deep stamping of the reinforcing seam


Union Cip



Product Code	Galvanised	Black	Anthracite Grey
120mm BXS50/UC*	●	/BLK	/GRY

- Inclusive of rubber seal
- Snap fix system via Z spring to ensure secure and robust connection between gutter lengths and fittings
- Demountable and reusable
- Allowance for expansion within the system
- Manufactured to fit the box gutter with exact precision


External 90° Angle



Product Code	Galvanised	Black	Anthracite Grey
120mm BXS50/EA90A*	●	/BLK	/GRY

- Additional stability provided by welding point on the fixed bead
- Designed to connect directly onto length without the need to mitre on site
- Inclusive of bead connector and union clips
- Other angles available upon request

Internal 90° Angle



Product Code	Galvanised	Black	Anthracite Grey
120mm BXS50/IA90A*	●	/BLK	/GRY

- Additional stability provided by welding point on the fixed bead
- Designed to connect directly onto length without the need to mitre on site
- Inclusive of bead connector and union clips
- Other angles available upon request

Finishes - *to specify a plain galvanised finish order the code as shown in the first column, to specify a premium colour or finish add the correct suffix to the end of the product code, for example BXS50/3MA/GRY for a 120mm gutter 3m length in Anthracite Grey finish.

www.alumascwms.co.uk 9 +44 (0) 1536 383 810

Introduction

Galvanised + Coated Steel

Copper + Natural Zinc

Quartz Zinc

Installation Guides

Specification

Navigation buttons - Click or tap the section you wish to visit

Navigation button - Dark green is the section you are in

Link - Click or tap to visit the website.

Introduction

Galvanised + Coated Steel

Copper + Natural Zinc

Quartz Zinc

Installation Guides

Specification

Recommended Viewing Settings

For optimum viewing please use Adobe Acrobat. This PDF contains clickable links and bookmarks to allow you to access the information faster. Some of these features may not work in other PDF readers.

Materials and Finishes

Quality and suitability of materials is a key design consideration when choosing the correct material for rainwater applications. Infinity rainwater systems are available in a wide range of materials that offer smart, contemporary and sustainable choices for all projects.

Materials

GS Galvanized Steel

- Stable material with only 1.2mm/m 100k thermal Expansion
- Ideal for traditional and modern buildings in both new build and refurbishment applications
- A competitive alternative to uPVC systems, with increased flow rates and longevity
- Low maintenance system
- Lightweight, stylish and long lasting
- Environmentally friendly and fully recyclable
- 15 year warranty 5km from the sea

ZM ZM Galvanized Steel

- Environmentally friendly and fully recyclable
- Slower natural weathering process
- Enhanced protection with 310g/sqm metallic coating
- Market leading **full system warranty** for C4 environments
- Up to 15 year warranty for C4 environments (ca. 300m-2000m from the seafront)
- Up to 20 year warranty for C3 environments (ca. 2000m plus from the seafront)

CG Coated Galvanized Steel

- Available in 7 finishes including black, anthracite grey, white and 4 other colours
- Stable material with only 1.2mm/m 100k thermal Expansion
- Scratch resistance ≥ 30 N according to EN13523-12:2004
- UV-resistance RUV 4 according to EN10169-2
- Low maintenance system with no need to repaint
- Environmentally friendly and fully recyclable
- 15 year warranty 2km plus from the sea

Cu Copper

- The natural properties of copper means that this material is corrosion resistant meaning that it will never rust
- Non-magnetic
- The copper patina visibly changes colour beautifully with age
- Environmentally friendly and fully recyclable

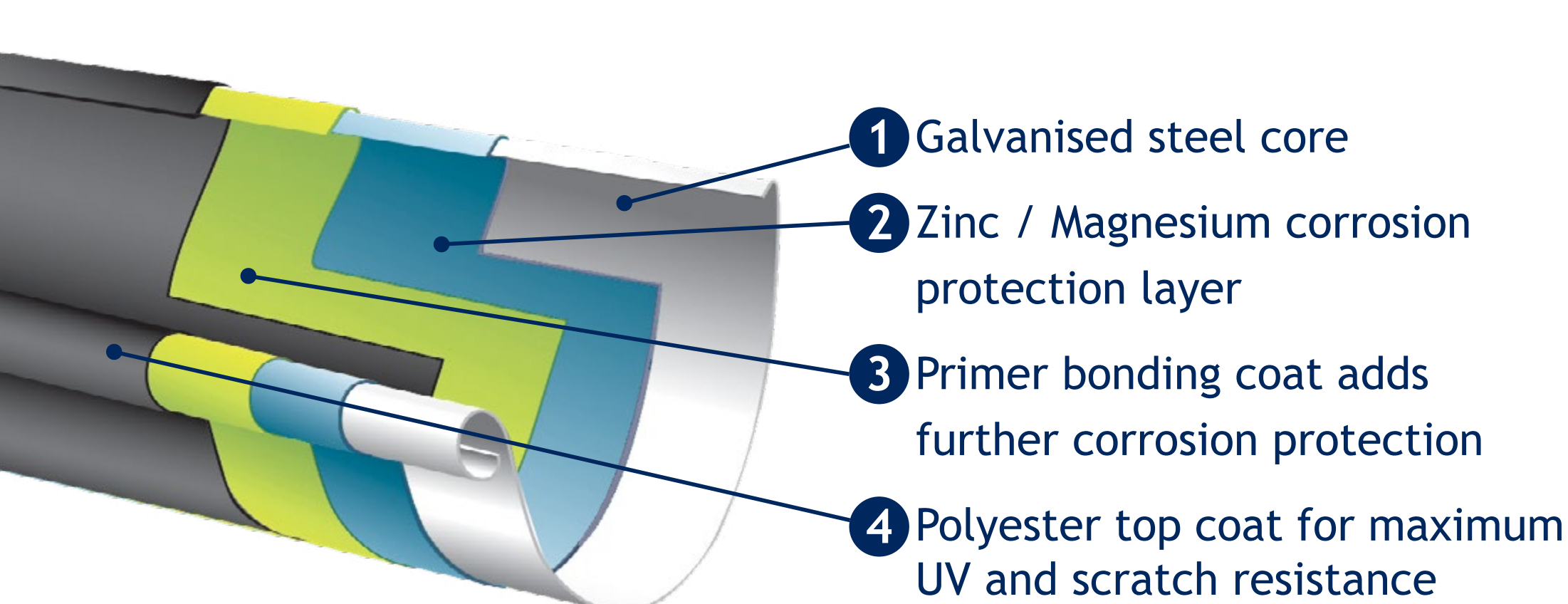
NZ Natural Zinc

- When Natural Zinc is damaged or scratched, it has self healing properties
- Consistent texture and finish that does not change over the lifespan of the product
- Environmentally friendly and fully recyclable

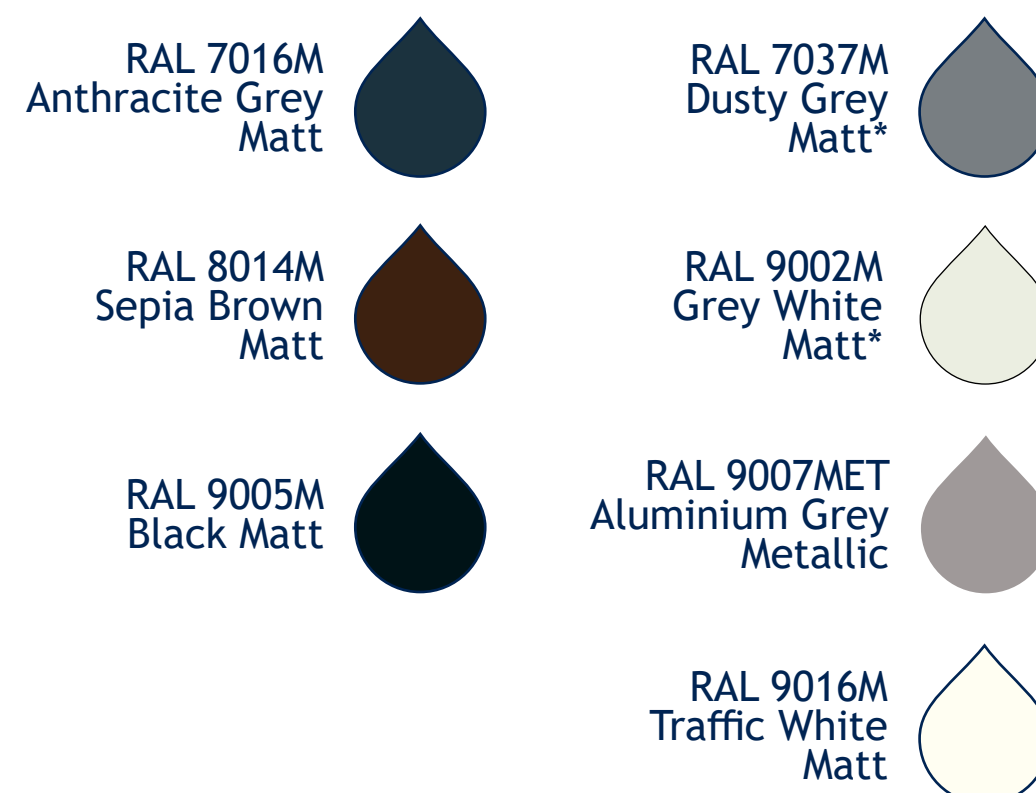
QZ Quartz Zinc

- The Quartz Zinc shade is already pre-weathered therefore will maintain its colour finish
- Resistant surface to the accumulation of dirt and debris, ensuring that good waterflow and discharge rates are maintained
- Permanent corrosion prevention
- Environmentally friendly and fully recyclable

About Coated Galvanised Steel



Coated Galvanised Steel Colours



Infinity Range Summary

The range is split into three main groups based on the appearance, material and style. All systems offer long term, low maintenance, low cost trouble free protection for your home.

Galvanised & Colour Coated Systems

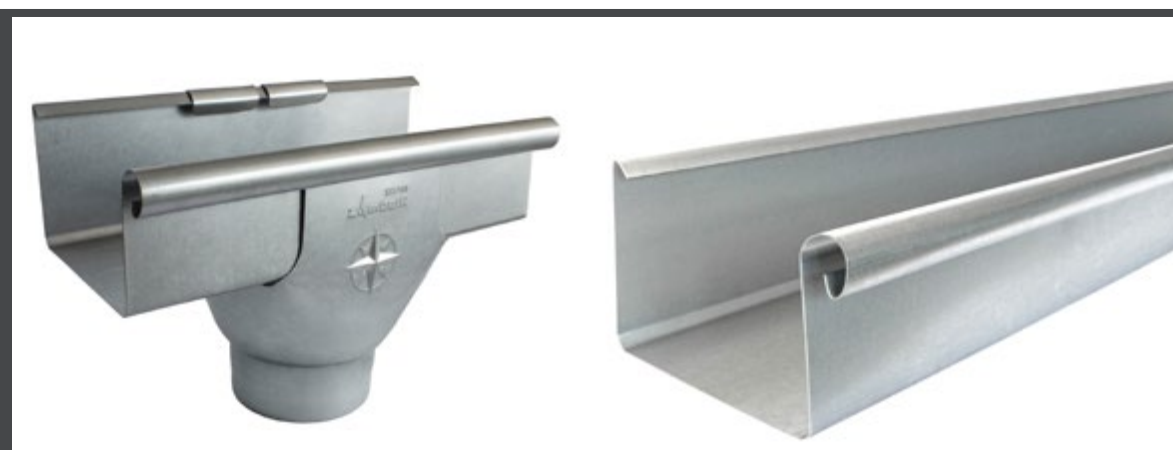
Half Round Gutter - Page 9

The traditional shape to a gutter system in eight finishes. Used on a wide range of buildings including residential and commercial.



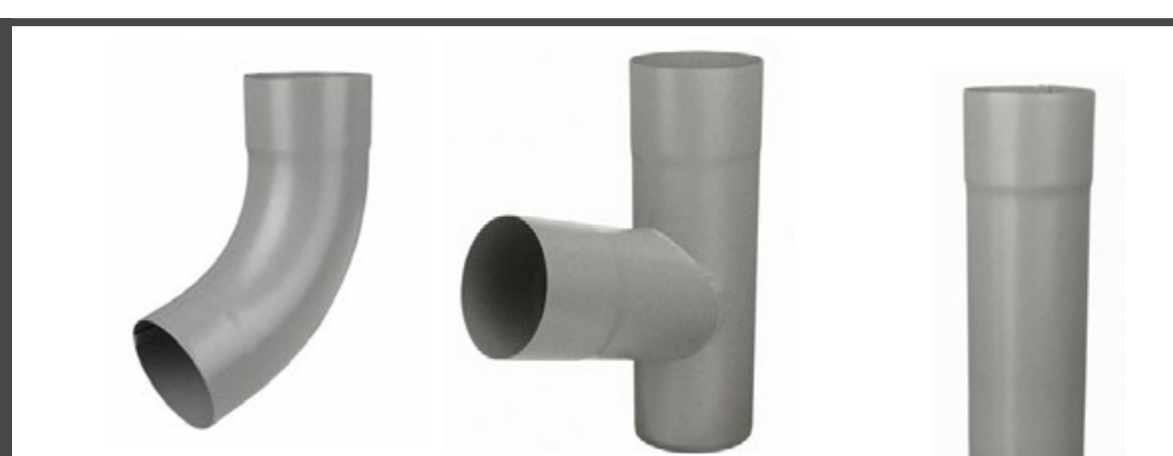
Box Gutter - Page 15

Box Gutters are good for use with roofs with a large surface area. They can be used when you need a unique look or finish



Circular Downpipes - Page 19

Circular downpipes to match with the galvanised or colour coated half round system.



Copper & Natural Zinc Systems

Half Round Gutter - Page 25

The traditional shape to a gutter system in two contemporary finishes. Used on a wide range of buildings including residential and commercial.



Circular Downpipes - Page 30

Circular downpipes to match with the copper and natural zinc half round system.



Quartz Zinc Systems

Half Round Gutter - Page 33

The traditional shape to a gutter system in a modern finish. Used on a wide range of buildings including residential and commercial.



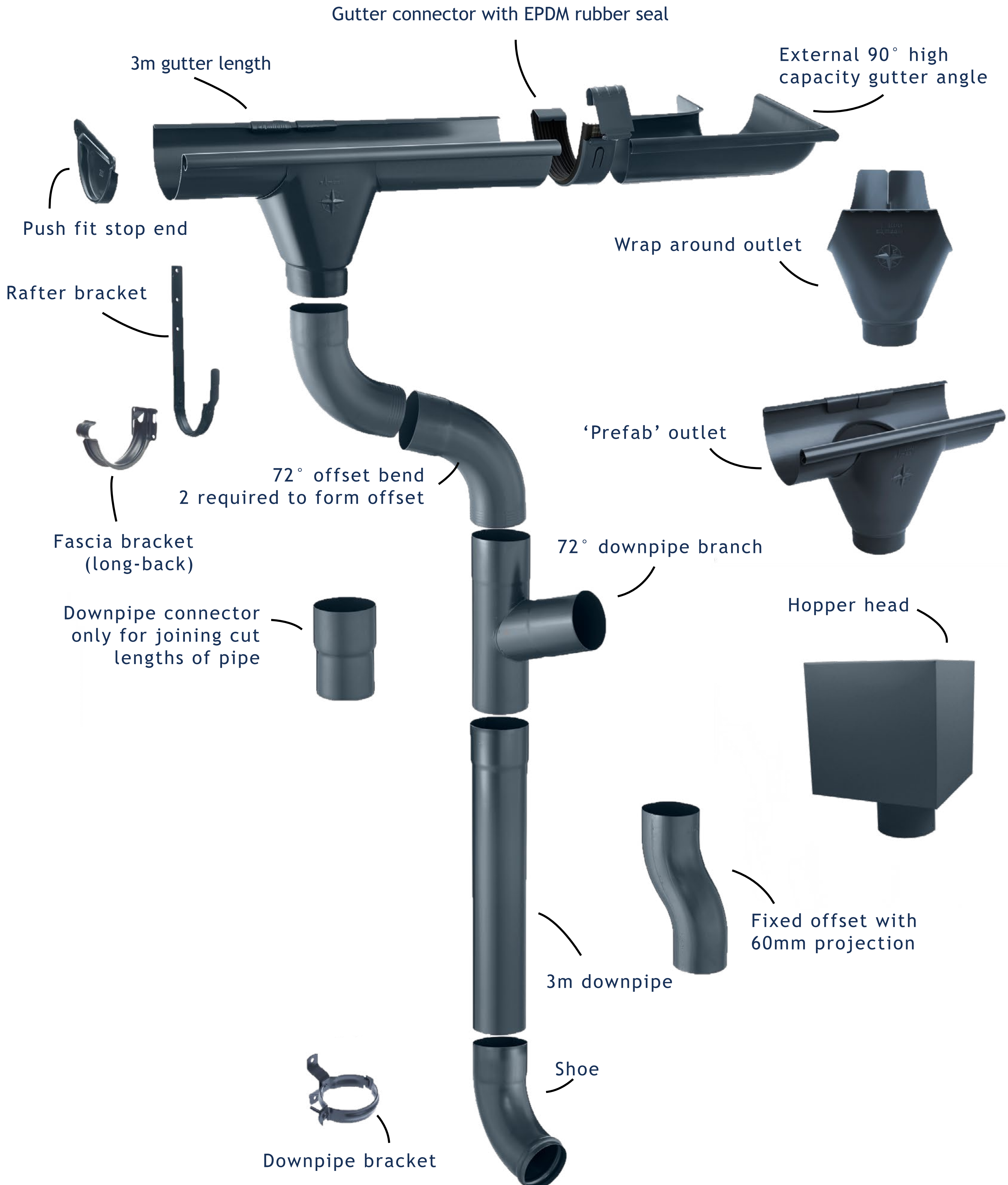
Circular Downpipes - Page 36

Circular downpipes to match with the quartz zinc half round system.



Half Round System Components

Rainwater guttering systems consist of a series of components that fit together to suit the required layout. Below is a schematic showing the component options of the galvanised and colour coated gutter system.



Galvanised & PPC Half Round Gutters

Unmatched durability and high performing Infinity Steel half round gutter system is available in a innovative coating system taht is extremely hard wearing. The coating consists of three layers comprising zinc corrosion protection, primer bonding coat and a 'Robust' UV and scratch resistant polyester top coat.

3m Length

- Galvanised coated steel for permanent corrosion prevention
- Colour coated options for additional protection and aesthetics
- High UV resistance (RUV-4)
- Inclusive of bead connector
- Roll formed from 0.6mm galvanised steel
- 3m length as standard



	Product Code	Galvanised	ZM Galvanized	Anthracite Grey	Dusty Grey	Sepia Brown	Grey White	Black	Aluminium Grey	Traffic White
115mm	HRS40/3M*	●	/ZMS	/GRY	/DST	/BRW	/GWT	/BLK	/AGM	/WTE
125mm	HRS50/3M*	●	/ZMS	/GRY	/DST	/BRW	/GWT	/BLK	/AGM	/WTE
150mm	HRS60/3M*	●		/GRY				/BLK		
190mm	HRS75/3M*	●		/GRY [†]				/BLK [†]		

Fascia Bracket

- Manufactured to match the half round profile exactly for secure connection to both gutter and structure
- Generally position at 915mm centres, 3no. per 3m length
- Manufactured from 1.25mm galvanised steel
- Maximum stability due to deep stamping of the reinforcing seam



	Product Code	Galvanised	ZM Galvanized	Anthracite Grey	Dusty Grey	Sepia Brown	Grey White	Black	Aluminium Grey	Traffic White
115mm	HRS40/FB*	●	/ZMS	/GRY	/DST	/BRW	/GWT	/BLK	/AGM	/WTE
125mm	HRS50/FB*	●	/ZMS	/GRY	/DST	/BRW	/GWT	/BLK	/AGM	/WTE
150mm	HRS60/FB*	●		/GRY				/BLK		
190mm	HRS75/FB*	●		/GRY [†]				/BLK [†]		

Union Clip

- Inclusive of rubber seal
- Snap fix system via Z spring to ensure secure and robust connection between gutter lengths and fittings
- Demountable and reusable
- Allowance for expansion within the system
- Manufactured to fit the half round system with exact precision



	Product Code	Galvanised	ZM Galvanized	Anthracite Grey	Dusty Grey	Sepia Brown	Grey White	Black	Aluminium Grey	Traffic White
115mm	HRS40/UC*	●	/ZMS	/GRY	/DST	/BRW	/GWT	/BLK	/AGM	/WTE
125mm	HRS50/UC*	●	/ZMS	/GRY	/DST	/BRW	/GWT	/BLK	/AGM	/WTE
150mm	HRS60/UC*	●		/GRY				/BLK		
190mm	HRS75/UC*	●		/GRY [†]				/BLK [†]		

Finishes - *to specify a plain galvanised finish order the code as shown in the first column, to specify a premium colour or finish add the correct suffix to the end of the product code, for example HRS40/3MA/GRY for a 115mm gutter 3m length in Anthracite Grey finish.

HRS75 - [†]/GRY & /BLK are priced on application and are subject to longer lead times.

Galvanised & PPC Half Round Gutters

External 90° Angle

- Patented water bend enables perfect water flow
- Additional stability provided by welding point on the fixed bead
- Designed to connect directly onto length without the need to mitre on site
- Inclusive of bead connector
- Other angles available upon request



	Product Code	Galvanised	ZM Galvanized	Anthracite Grey	Dusty Grey	Sepia Brown	Grey White	Black	Aluminium Grey	Traffic White
115mm	HRS40/EA90*	●	/ZMS	/GRY	/DST	/BRW	/GWT	/BLK	/AGM	/WTE
125mm	HRS50/EA90*	●	/ZMS	/GRY	/DST	/BRW	/GWT	/BLK	/AGM	/WTE
150mm	HRS60/EA90*	●		/GRY				/BLK		
190mm	HRS75/EA90*	●		/GRY [†]				/BLK [†]		

Internal 90° Angle

- Patented water bend enables perfect water flow
- Seamless deep drawn design
- Designed to connect directly onto length without the need to mitre on site
- Inclusive of bead connector
- Other angles available upon request



	Product Code	Galvanised	ZM Galvanized	Anthracite Grey	Dusty Grey	Sepia Brown	Grey White	Black	Aluminium Grey	Traffic White
115mm	HRS40/IA90*	●	/ZMS	/GRY	/DST	/BRW	/GWT	/BLK	/AGM	/WTE
125mm	HRS50/IA90*	●	/ZMS	/GRY	/DST	/BRW	/GWT	/BLK	/AGM	/WTE
150mm	HRS60/IA90*	●		/GRY				/BLK		
190mm	HRS75/IA90*	●		/GRY [†]				/BLK [†]		

External 135° Angle

- Patented water bend enables perfect water flow
- Additional stability provided by welding point on the fixed bead
- Designed to connect directly onto length without the need to mitre on site
- Inclusive of bead connector
- Other angles available upon request



	Product Code	Galvanised	ZM Galvanized	Anthracite Grey	Dusty Grey	Sepia Brown	Grey White	Black	Aluminium Grey	Traffic White
115mm	HRS40/EA135*	●	/ZMS	/GRY	/DST	/BRW	/GWT	/BLK	/AGM	/WTE
125mm	HRS50/EA135*	●	/ZMS	/GRY	/DST	/BRW	/GWT	/BLK	/AGM	/WTE
150mm	HRS60/EA135*	●		/GRY				/BLK		

Finishes - *to specify a plain galvanised finish order the code as shown in the first column, to specify a premium colour or finish add the correct suffix to the end of the product code, for example HRS40/3MA/GRY for a 115mm gutter 3m length in Anthracite Grey finish.

HRS75 - [†]/GRY & /BLK are priced on application and are subject to longer lead times.

Galvanised & PPC Half Round Gutters

Internal 135° Angle

- Patented water bend enables perfect water flow
- Seamless deep drawn design
- Designed to connect directly onto length without the need to mitre on site
- Inclusive of bead connector
- Other angles available upon request



	Product Code	Galvanised	ZM Galvanized	Anthracite Grey	Dusty Grey	Sepia Brown	Grey White	Black	Aluminium Grey	Traffic White
115mm	HRS40/IA135*	●	/ZMS	/GRY	/DST	/BRW	/GWT	/BLK	/AGM	/WTE
125mm	HRS50/IA135*	●	/ZMS	/GRY	/DST	/BRW	/GWT	/BLK	/AGM	/WTE
150mm	HRS60/IA135*	●		/GRY				/BLK		

Wrap Around Outlet 60mm Pipe

- Patented reinforced bend for maximum stability
- Chamfered for accuracy and speed during installation
- Three point connection around profile to ensure secure fit
- Requires cutting on site, refer to installation instructions
- Provides flexibility during installation as this unit can be installed anywhere along the length



	Product Code	Galvanised	ZM Galvanized	Anthracite Grey	Dusty Grey	Sepia Brown	Grey White	Black	Aluminium Grey	Traffic White
115mm	HRS40/RO60*	●		/GRY				/BLK		

Wrap Around Outlet 80mm Pipe

- Patented reinforced bend for maximum stability
- Chamfered for accuracy and speed during installation
- Three point connection around profile to ensure secure fit
- Requires cutting on site, refer to installation instructions
- Provides flexibility during installation as this unit can be installed anywhere along the length



	Product Code	Galvanised	ZM Galvanized	Anthracite Grey	Dusty Grey	Sepia Brown	Grey White	Black	Aluminium Grey	Traffic White
115mm	HRS40/RO80*	●	/ZMS	/GRY	/DST	/BRW	/GWT	/BLK	/AGM	/WTE
125mm	HRS50/RO80*	●	/ZMS	/GRY	/DST	/BRW	/GWT	/BLK	/AGM	/WTE
150mm	HRS60/RO80*	●		/GRY				/BLK		

Wrap Around Outlet 100mm Pipe

- Patented reinforced bend for maximum stability
- Chamfered for accuracy and speed during installation
- Three point connection around profile to ensure secure fit
- Requires cutting on site, refer to installation instructions
- Provides flexibility during installation as this unit can be installed anywhere along the length



	Product Code	Galvanised	ZM Galvanized	Anthracite Grey	Dusty Grey	Sepia Brown	Grey White	Black	Aluminium Grey	Traffic White
125mm	HRS50/RO100*	●								
150mm	HRS60/RO100*	●		/GRY				/BLK		
190mm	HRS75/RO100*	●		/GRY [†]				/BLK [†]		


Finishes - *to specify a plain galvanised finish order the code as shown in the first column, to specify a premium colour or finish add the correct suffix to the end of the product code, for example HRS40/3MA/GRY for a 115mm gutter 3m length in Anthracite Grey finish.

HRS75 - [†]/GRY & /BLK are priced on application and are subject to longer lead times.

Galvanised & PPC Half Round Gutters

Pre Fabricated Outlet 60mm Pipe


- Pre-fabricated outlet within a 300mm length of gutter
- Can be connected easily on site via union clips to speed installation and avoid having to cut the outlet for the wrap around version
- Inclusive of bead connector
- Tapered outlet to allow higher flow rate and transition from horizontal to vertical drainage



	Product Code	Galvanised	ZM Galvanized	Anthracite Grey	Dusty Grey	Sepia Brown	Grey White	Black	Aluminium Grey	Traffic White
115mm	HRS40/ROA60*	●		/GRY				/BLK		

Pre Fabricated Outlet 80mm Pipe


- Pre-fabricated outlet within a 300mm length of gutter
- Can be connected easily on site via union clips to speed installation and avoid having to cut the outlet for the wrap around version
- Inclusive of bead connector
- Tapered outlet to allow higher flow rate and transition from horizontal to vertical drainage



	Product Code	Galvanised	ZM Galvanized	Anthracite Grey	Dusty Grey	Sepia Brown	Grey White	Black	Aluminium Grey	Traffic White
115mm	HRS40/ROA80*	●	/ZMS	/GRY	/DST	/BRW	/GWT	/BLK	/AGM	/WTE
125mm	HRS50/ROA80*	●	/ZMS	/GRY	/DST	/BRW	/GWT	/BLK	/AGM	/WTE
150mm	HRS60/ROA80*	●		/GRY				/BLK		

Pre Fabricated Outlet 100mm Pipe


- Pre-fabricated outlet within a 300mm length of gutter
- Can be connected easily on site via union clips to speed installation and avoid having to cut the outlet for the wrap around version
- Inclusive of bead connector
- Tapered outlet to allow higher flow rate and transition from horizontal to vertical drainage



	Product Code	Galvanised	ZM Galvanized	Anthracite Grey	Dusty Grey	Sepia Brown	Grey White	Black	Aluminium Grey	Traffic White
150mm	HRS60/ROA100*	●		/GRY				/BLK		

Push Fit Stop End

- Universal fitting so can be used on either left or right hand of gutter
- Inclusive of rubber seal to allow connection and seal to gutter
- Consistent shape for accurate fitting onto half round profile
- Pressed form allows secure connection to gutter when using the rubber included



	Product Code	Galvanised	ZM Galvanized	Anthracite Grey	Dusty Grey	Sepia Brown	Grey White	Black	Aluminium Grey	Traffic White
115mm	HRS40/SE*	●	/ZMS	/GRY	/DST	/BRW	/GWT	/BLK	/AGM	/WTE
125mm	HRS50/SE*	●	/ZMS	/GRY	/DST	/BRW	/GWT	/BLK	/AGM	/WTE
150mm	HRS60/SE*	●		/GRY				/BLK		
190mm	HRS75/SE*	●		/GRY [†]				/BLK [†]		

Finishes - *to specify a plain galvanised finish order the code as shown in the first column, to specify a premium colour or finish add the correct suffix to the end of the product code, for example HRS40/3MA/GRY for a 115mm gutter 3m length in Anthracite Grey finish.

HRS75 - [†]/GRY & /BLK are priced on application and are subject to longer lead times.

Galvanised & PPC Half Round Gutters

Rise & Fall Bracket

- For use where the standard fascia bracket and rafter brackets cannot be used
- Allows vertical adjustment to ensure the gutter is at the right height
- Half round profile to secure the gutter in place once installed



	Product Code	Galvanised	ZM Galvanised	Anthracite Grey	Dusty Grey	Sepia Brown	Grey White	Black	Aluminium Grey	Traffic White
115mm	HRS40/R&F*	●	/ZMS	/GRY				/BLK		/WTE
125mm	HRS50/R&F*	●	/ZMS	/GRY				/BLK		/WTE
150mm	HRS60/R&F*	●		/GRY				/BLK		

Side Fix Rafter Bracket

- For use in applications where no fascia is present and the rafters are exposed
- Half round profile to secure the gutter in place once installed
- Side fix rafter brackets are designed to fix into the side of an exposed rafter
- Can be installed after the roof covering has been installed



	Product Code	Galvanised	ZM Galvanised	Anthracite Grey	Dusty Grey	Sepia Brown	Grey White	Black	Aluminium Grey	Traffic White
115mm	HRS40/RB/SF*	●	/ZMS	/GRY	/DST	/BRW	/GWT	/BLK		/WTE
125mm	HRS50/RB/SF*	●	/ZMS	/GRY	/DST	/BRW	/GWT	/BLK	/AGM	/WTE
150mm	HRS60/RB/SF*	●		/GRY				/BLK		

Finishes - *to specify a plain galvanised finish order the code as shown in the first column, to specify a premium colour or finish add the correct suffix to the end of the product code, for example HRS40/3MA/GRY for a 115mm gutter 3m length in Anthracite Grey finish.

HRS75 - †/GRY & /BLK are priced on application and are subject to longer lead times.



Galvanised & PPC Half Round Gutters

Top Fix Rafter Bracket

- Top fix rafter bracket fixed to the top of exposed rafter
- Half round profile to secure the gutter in place once installed
- Side fix rafter brackets are designed to fix into the side of an exposed rafter
- Must be installed before the roof covering has been installed
- Rafter brackets can be bent on site to suit, additional bending tool available to purchase.



	Product Code	Galvanised	ZM Galvanized	Anthracite Grey	Dusty Grey	Sepia Brown	Grey White	Black	Aluminium Grey	Traffic White
115mm	HRS40/TF/RB*	●	/ZMS	/GRY	/DST	/BRW	/GWT	/BLK	/AGM	/WTE
125mm	HRS50/TF/RB*	●	/ZMS	/GRY	/DST	/BRW	/GWT	/BLK	/AGM	/WTE
150mm	HRS60/TF/RB*	●		/GRY				/BLK		
190mm	HRS75/TF/RB	●								

Bead Connector

- Included with assembly codes of the parts listed above
- If replacements or spares are required the codes below can be ordered
- Must be installed wherever a connection is made
- Designed to fit within the rolled front edge of the half round profile in order to secure the front edge of two parts being
- Please ensure a 5mm expansion gap is provided for movement



	Product Code	Galvanised	ZM Galvanized	Anthracite Grey	Dusty Grey	Sepia Brown	Grey White	Black	Aluminium Grey	Traffic White
115mm	HRS40/BC	●	●	●	●	●	●	●	●	●
125mm	HRS50/BC	●	●	●	●	●	●	●	●	●
150mm	HRS60/BC	●		●				●		
190mm	HRS75/BC	●								

Please Note: Bead connectors are supplied in a galvanised finish and are not visible once installed

Top-Fix Rafter Bracket Bending Tool



Product Code
HRS/RAFTBEND

- Top-fix rafter gutter-bracket bending tool
- For use on steel top fix brackets that need to be 'Bent On Site'

Fascia Bracket Angle Adjuster



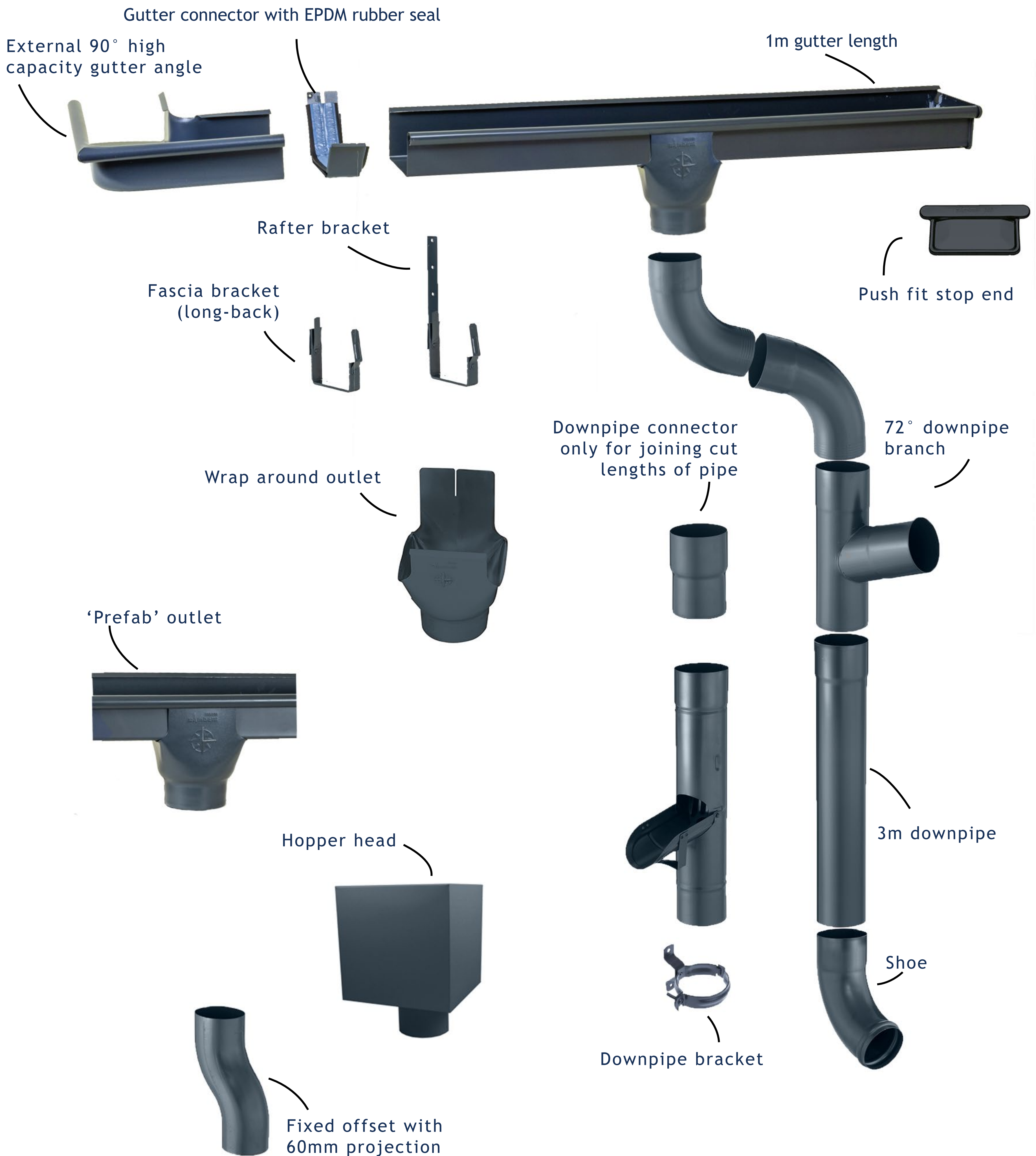
Product Code
HRS/FBAA

- For use only with legacy style fascia bracket.
- For further information, please contact Customer Service team.

Finishes - *to specify a plain galvanised finish order the code as shown in the first column, to specify a premium colour or finish add the correct suffix to the end of the product code, for example HRS40/3MA/GRY for a 115mm gutter 3m length in Anthracite Grey finish.

Box Gutter System Components


Rainwater guttering systems consist of a series of components that fit together to suit the required layout. Below is a schematic showing the component options of the box gutter system.



Galvanised & PPC Box Gutters

Discover the durability and versatility of steel box gutters. Our solutions seamlessly blend functionality and aesthetics, offering superior rainwater management for residential, commercial, and industrial structures.

3m Length



	Product Code	Galvanized	Black	Anthracite Grey
120mm	BXS50/3M*	●	/BLK	/GRY

- Galvanised coated steel for permanent corrosion prevention
- Colour coated options available for
- High UV resistance (RUV-4)
- Inclusive of bead connector
- Formed from 0.6mm galvanised steel
- 3m length as standard
- Box gutter is 75mm tall

1m Length With Stop End Left Hand



	Product Code	Galvanized	Black	Anthracite Grey
120mm	BXS50/1M/SELH*	●	/BLK	/GRY

- Pre-fabricated unit within a 1000mm length of gutter
- Can be connected easily on site via union clips to speed installation and avoid having to cut the outlet for the wrap around version
- Inclusive of bead connector
- Handed due to box gutter profile
- Box gutter is 75mm tall


1m Length With Stop End Right Hand



	Product Code	Galvanized	Black	Anthracite Grey
120mm	BXS50/1M/SERH*	●	/BLK	/GRY

- Pre-fabricated unit within a 1000mm length of gutter
- Can be connected easily on site via union clips to speed installation and avoid having to cut the outlet for the wrap around version
- Inclusive of bead connector
- Handed due to box gutter profile
- Box gutter is 75mm tall

Fascia Bracket



	Product Code	Galvanized	Black	Anthracite Grey
120mm	BXS50/FB*	●	/BLK	/GRY

- Manufactured to match the box gutter profile exactly for secure connection to both gutter and structure
- Generally position at 915mm centres, 3no. per 3m length
- Manufactured from 1.25mm galvanised steel
- Maximum stability due to deep stamping of the reinforcing seam

Union Cip



	Product Code	Galvanized	Black	Anthracite Grey
120mm	BXS50/UC*	●	/BLK	/GRY

- Inclusive of rubber seal
- Snap fix system via Z spring to ensure secure and robust connection between gutter lengths and fittings
- Demountable and reusable
- Allowance for expansion within the system
- Manufactured to fit the box gutter with exact precision

Finishes - *to specify a plain galvanised finish order the code as shown in the first column, to specify a premium colour or finish add the correct suffix to the end of the product code, for example BXS50/3MA/GRY for a 120mm gutter 3m length in Anthracite Grey finish.

Galvanised & PPC Box Gutters

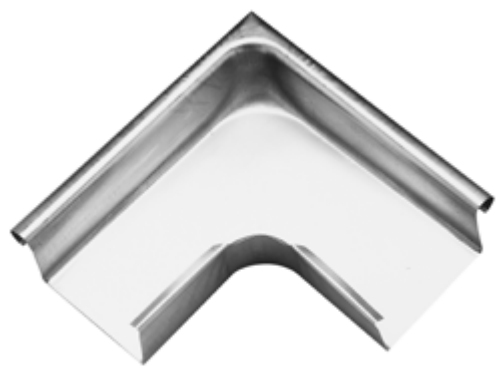
Top Fix Rafter Bracket



	Product Code	Galvanized	Black	Anthracite Grey
120mm	BXS50/RB/TF*	●	/BLK	/GRY

- For use in applications where no fascia is present and the rafters are exposed
- Box gutter profile to secure the gutter in place once installed
- Must be installed before the roof covering has been installed

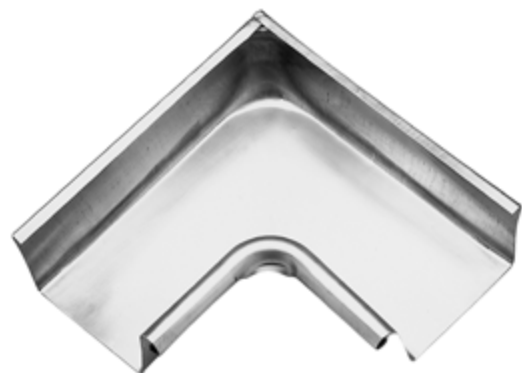
External 90° Angle



	Product Code	Galvanized	Black	Anthracite Grey
120mm	BXS50/EA90*	●	/BLK	/GRY

- Additional stability provided by welding point on the fixed bead
- Designed to connect directly onto length without the need to mitre on site
- Inclusive of bead connector
- Other angles available upon request

Internal 90° Angle



	Product Code	Galvanized	Black	Anthracite Grey
120mm	BXS50/IA90*	●	/BLK	/GRY

- Additional stability provided by welding point on the fixed bead
- Designed to connect directly onto length without the need to mitre on site
- Inclusive of bead connector
- Other angles available upon request

Wrap Around Running Outlet



	Product Code	Galvanized	Black	Anthracite Grey
120mm	BXS50/RO100*	●	/BLK	/GRY

- Patented reinforced bend for maximum stability
- Chamfered for accuracy and speed during installation
- Three point connection around profile to ensure secure fit
- Requires cutting on site, refer to installation instructions
- Provides flexibility during installation as this unit can be installed anywhere along the length

Pre-Fabricated Running Outlet



	Product Code	Galvanized	Black	Anthracite Grey
120mm	BXS50/ROA100A*	●	/BLK	/GRY

- Pre-fabricated outlet within a 300mm length of gutter
- Can be connected easily on site via union clips to speed installation and avoid having to cut the outlet for the wrap around version
- Inclusive of bead connector
- Tapered outlet to allow higher flow rate and transition from horizontal to vertical drainage

Finishes - *to specify a plain galvanised finish order the code as shown in the first column, to specify a premium colour or finish add the correct suffix to the end of the product code, for example BXS50/3MA/GRY for a 120mm gutter 3m length in Anthracite Grey finish.

Galvanised & PPC Box Gutters

Left Hand Glue In Stop End

	Product Code	Galvanised	Black	Anthracite Grey
	120mm BXS50/SELH*	●	/BLK	/GRY

- Inclusive of rubber seal to allow connection and seal to gutter
- Consistant shape for accurate fitting onto box gutter profile
- Pressed form allows secure connection to gutter when using the rubber included

Right Hand Glue In Stop End

	Product Code	Galvanised	Black	Anthracite Grey
	120mm BXS50/SERH*	●	/BLK	/GRY


- Inclusive of rubber seal to allow connection and seal to gutter
- Consistant shape for accurate fitting onto box gutter profile
- Pressed form allows secure connection to gutter when using the rubber included

Top-Fix Rafter Bracket Bending Tool

	Product Code	
	HRS/RAFTBEND	

- Top-fix rafter gutter-bracket bending tool
- For use on steel top fix brackets that need to be 'Bent On Site'

Infinity Adhesive

	Product Code	Quartz Zinc
	310ml HRS/ADHESIVE	●

- Adhesive for Infinity Rainwater
- Strong adhesive to ensure secure connection
- Applicable on damp surfaces
- UV-resistant and solvent-free
- Grey in colour but is also coatable and odourless
- Volume: 310 ml

Finishes - *to specify a plain galvanised finish order the code as shown in the first column, to specify a premium colour or finish add the correct suffix to the end of the product code, for example BXS50/3MA/GRY for a 120mm gutter 3m length in Anthracite Grey finish.



Galvanised & PPC Circular Downpipes

3m Length

- Seamed with inside beading for clean aesthetic
- Integral socket at the top of the pipe to allow faster installation and secure connection between fittings
- 3m length as standard
- Roll formed from 0.6mm galvanised steel



	Product Code	Galvanised	ZM Galvanized	Anthracite Grey	Dusty Grey	Sepia Brown	Grey White	Black	Aluminium Grey	Traffic White
60mm	SRW0/3M*	●		/GRY				/BLK		
80mm	SRW1/3M*	●	/ZMS	/GRY	/DST	/BRW	/GWT	/BLK	/AGM	/WTE
100mm	SRW2/3M*	●		/GRY				/BLK		

Please note: 2m pipe is available in 60mm pipe diameter upon request

Pipe Clip

- Safe fastening of pipework to structure
- Stainless steel screw provided to easily tighten or loosen bracket
- Precision accuracy to ensure pipe is secured
- Recommended 2m maximum distance between pipe clips



	Product Code	Galvanised	ZM Galvanized	Anthracite Grey	Dusty Grey	Sepia Brown	Grey White	Black	Aluminium Grey	Traffic White
80mm	SRW1/PC*	●	/ZMS	/GRY	/DST	/BRW	/GWT	/BLK	/AGM	/WTE
100mm	SRW2/PC*	●		/GRY				/BLK		

Pipe Clip M10 Boss

- Safe fastening of pipework to structure
- Stainless steel screw provided to easily tighten or loosen bracket
- Precision accuracy to ensure pipe is secured
- Recommended 2m maximum distance between pipe clips
- M10 boss connection to secure to structure
- You will need to order the M10 Screw and choose between 3 lengths



	Product Code	Galvanised	ZM Galvanized	Anthracite Grey	Dusty Grey	Sepia Brown	Grey White	Black	Aluminium Grey	Traffic White
60mm	SRW0/PC/10*	●		/GRY				/BLK		
80mm	SRW1/PC/10*	●	/ZMS	/GRY	/DST	/BRW	/GWT	/BLK	/AGM	/WTE
100mm	SRW2/PC/10*	●		/GRY				/BLK		

M10 Steel Screw

- For use with the Pipe Clip M10 Boss



	Product Code	Galvanised	ZM Galvanized	Anthracite Grey	Dusty Grey	Sepia Brown	Grey White	Black	Aluminium Grey	Traffic White
100mm	M10/SCREW100	●	●	●	●	●	●	●	●	●
140mm	M10/SCREW140	●	●	●	●	●	●	●	●	●
200mm	M10/SCREW200	●	●	●	●	●	●	●	●	●

Finishes - *to specify a plain galvanised finish order the code as shown in the first column, to specify a premium colour or finish add the correct suffix to the end of the product code, for example SRW0/3M/GRY for a 60mm downpipe 3m length in Anthracite Grey finish.

Galvanised & PPC Circular Downpipes

Downpipe Connector

- For use connecting off cuts of pipework together and the socket at the top of the pipe has been removed
- Fast and simple installation
- Consistent shape and accuracy of dimensions to allow internal connection to pipework below and external connection via socket above



	Product Code	Galvanised	ZM Galvanized	Anthracite Grey	Dusty Grey	Sepia Brown	Grey White	Black	Aluminium Grey	Traffic White
80mm	SRW1/DC*	●	/ZMS	/GRY	/DST	/BRW	/GWT	/BLK	/AGM	/WTE
100mm	SRW2/DC*	●		/GRY				/BLK		

Reducer

- For use when a transition from a larger pipe diameter to a smaller pipe diameter is required
- SRW2 pipe reducers are dual spigoted to fit either SRW1 or SRW0
- Roll formed from 0.6mm galvanised steel



	Product Code	Galvanised	ZM Galvanized	Anthracite Grey	Dusty Grey	Sepia Brown	Grey White	Black	Aluminium Grey	Traffic White
80mm	SRW1/RED*	●	/ZMS	/GRY				/BLK		
100mm	SRW2/RED*	●								

72° Degree Branch

- Manufactured from butt welded seamless pipework
- Used in conjunction with 70° bend to connect onto additional pipework to create a system
- Precision engineering to ensure secure fit



	Product Code	Galvanised	ZM Galvanized	Anthracite Grey	Dusty Grey	Sepia Brown	Grey White	Black	Aluminium Grey	Traffic White
80mm	SRW1/BR/72*	●	/ZMS	/GRY	/DST	/BRW	/GWT	/BLK	/AGM	/WTE
100mm	SRW2/BR/72*	●		/GRY				/BLK		

70° Bend

- Manufactured from butt welded seamless pipework
- Used in conjunction with 72° branch to connect onto additional pipework to create a system
- Precision engineering to ensure secure fit




	Product Code	Galvanised	ZM Galvanized	Anthracite Grey	Dusty Grey	Sepia Brown	Grey White	Black	Aluminium Grey	Traffic White
60mm	SRW0/OSB/70*	●		/GRY				/BLK		
80mm	SRW1/OSB/70*	●	/ZMS	/GRY	/DST	/BRW	/GWT	/BLK	/AGM	/WTE
100mm	SRW2/OSB/70*	●		/GRY				/BLK		

Finishes - *to specify a plain galvanised finish order the code as shown in the first column, to specify a premium colour or finish add the correct suffix to the end of the product code, for example SRW0/3M/GRY for a 60mm downpipe 3m length in Anthracite Grey finish.

Galvanised & PPC Circular Downpipes

90° Bend


- Manufactured from butt welded seamless pipework
- When two 90° bends are used together this can create an offset to position downpipes against structure
- Can incorporate a length of pipe between two bends to work with larger soffit depths
- Precision engineering to ensure secure fit



	Product Code	Galvanised	ZM Galvanized	Anthracite Grey	Dusty Grey	Sepia Brown	Grey White	Black	Aluminium Grey	Traffic White
80mm	SRW1/OSB/90*	●	/ZMS	/GRY	/DST	/BRW	/GWT	/BLK	/AGM	/WTE
100mm	SRW2/OSB/90*	●		/GRY				/BLK		

Adjustable Two Part Offset


- Complete offset for use when eaves protrude away from the structure where the downpipe will be fixed
- Reduces the number of connections and cuts in comparison to bends
- Offset dimension is between 200-700mm to allow adjustment on site to ensure a secure fitting everytime



	Product Code	Galvanised	ZM Galvanized	Anthracite Grey	Dusty Grey	Sepia Brown	Grey White	Black	Aluminium Grey	Traffic White
80mm	SRW1/AOS/700*			/GRY	/DST	/BRW		/BLK		
100mm	SRW2/AOS/700*	●		/GRY				/BLK		

Fixed 60mm Offset


- Offset dimension fixed at 60mm
- Typically used at the base of a stack to line up with a gully or below ground drainage system
- Can also be used as a fixed offset at the top of the stack to achieve a 60mm offset if required



	Product Code	Galvanised	ZM Galvanized	Anthracite Grey	Dusty Grey	Sepia Brown	Grey White	Black	Aluminium Grey	Traffic White
60mm	SRW0/FOS/60*	●		/GRY				/BLK		
80mm	SRW1/FOS/60*	●	/ZMS	/GRY	/DST	/BRW	/GWT	/BLK	/AGM	/WTE
100mm	SRW2/FOS/60*	●		/GRY				/BLK		

Shoe

- Seamed with inside beading for clean aesthetic
- Integral socket at the top of the pipe to allow faster installation and secure connection between fittings
- Used at the base of a stack to discharge water horizontally toward a gully or below ground drainage



	Product Code	Galvanised	ZM Galvanized	Anthracite Grey	Dusty Grey	Sepia Brown	Grey White	Black	Aluminium Grey	Traffic White
60mm	SRW0/SH*	●		/GRY				/BLK		
80mm	SRW1/SH*	●	/ZMS	/GRY	/DST	/BRW	/GWT	/BLK	/AGM	/WTE
100mm	SRW2/SH*	●		/GRY				/BLK		

Finishes - *to specify a plain galvanised finish order the code as shown in the first column, to specify a premium colour or finish add the correct suffix to the end of the product code, for example SRW0/3M/GRY for a 60mm downpipe 3m length in Anthracite Grey finish.

Galvanised & PPC Circular Hoppers

Short Heel Shoe

- Seamed with inside beading for clean aesthetic
- Integral socket at the top of the pipe to allow faster installation and secure connection between fittings
- Used at the base of a stack to discharge water horizontally toward a gully or below ground drainage
- Short heel version of the standard shoe to discharge at a shallower angle



	Product Code	Galvanised	ZM Galvanized	Anthracite Grey	Dusty Grey	Sepia Brown	Grey White	Black	Aluminium Grey	Traffic White
80mm	SRW1/SHS*	●	/ZMS	/GRY	/DST	/BRW	/GWT	/BLK	/AGM	/WTE
100mm	SRW2/SHS*	●								

Contemporary Hopper

- Used at the top of a stack to accept rainwater from a chute, rainwater outlet or downpipe
- Spigoted to allow connection into the standard socketed fittings
- Contemporary design with clean edges and box form
- Overall dimensions 385mm high x 220mm wide x 220mm deep



	Product Code	Galvanised	ZM Galvanized	Anthracite Grey	Dusty Grey	Sepia Brown	Grey White	Black	Aluminium Grey	Traffic White
80mm	SRW1/HH/GSR*	●	/ZMS	/GRY	/DST	/BRW	/GWT	/BLK	/AGM	/WTE
100mm	SRW2/HH/GSR*	●		/GRY				/BLK		

Ornamental Hopper

- Used at the top of a stack to accept rainwater from a chute, rainwater outlet or downpipe
- Spigoted to allow connection into the standard socketed fittings
- Ornamental decorative style with compass motif



	Product Code	Galvanised	ZM Galvanized	Anthracite Grey	Dusty Grey	Sepia Brown	Grey White	Black	Aluminium Grey	Traffic White
80mm	SRW1/HH/ORN*	●	/ZMS	/GRY	/DST	/BRW	/GWT	/BLK	/AGM	/WTE
100mm	SRW2/HH/ORN*	●		/GRY				/BLK		

Parapet Hopper

- Used at the top of a stack to accept rainwater from a chute, rainwater outlet or downpipe
- Spigoted to allow connection into the standard socketed fittings
- Elongated rounded style to accept the discharge from a chute or rainwater outlet



	Product Code	Galvanised	ZM Galvanized	Anthracite Grey	Dusty Grey	Sepia Brown	Grey White	Black	Aluminium Grey	Traffic White
80mm	SRW1/HH/PCH*			/GRY	/DST	/BRW	/GWT	/BLK		/WTE
100mm	SRW1/HH/PCH*			/GRY				/BLK		

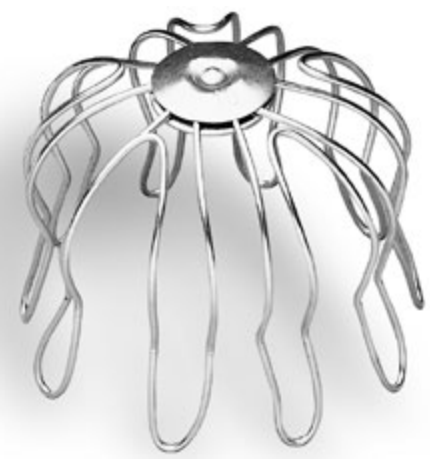
Please note: Parapet hoppers may be on an extended leadtime

Finishes - *to specify a plain galvanised finish order the code as shown in the first column, to specify a premium colour or finish add the correct suffix to the end of the product code, for example SRW0/3M/GRY for a 60mm downpipe 3m length in Anthracite Grey finish.

Galvanised & PPC Accessories

Leaf Guard

- Stops debris falling into the downpipe and creating a blockage in the following pipework system
- Generally used in areas where tree coverage is high
- Access pipes can be used as an alternative to clear blockages at ground level rather than having regular maintenance at eaves level



	Product Code	Galvanised	ZM Galvanized	Anthracite Grey	Dusty Grey	Sepia Brown	Grey White	Black	Aluminium Grey	Traffic White
60mm	SRW0/LG*	●								
80mm	SRW1/LG*	●	/ZMS					/BLK		
100mm	SRW2/LG*	●						/BLK		

Access Pipe

- Seamed with inside beading for clean aesthetic
- Integral socket at the top of the pipe to allow faster installation and secure connection between fittings
- Used near to ground level to gain access to the pipe in order to clear blockages in either direction



	Product Code	Galvanised	ZM Galvanized	Anthracite Grey	Dusty Grey	Sepia Brown	Grey White	Black	Aluminium Grey	Traffic White
80mm	SRW1/AP*	●	/ZMS	/GRY	/DST	/BRW	/GWT	/BLK	/AGM	/WTE
100mm	SRW2/AP*	●		/GRY				/BLK		

Finishes - *to specify a plain galvanised finish order the code as shown in the first column, to specify a premium colour or finish add the correct suffix to the end of the product code, for example SRW0/3M/GRY for a 60mm downpipe 3m length in Anthracite Grey finish.

Galvanised & PPC Accessories

Rainwater Collector

- Seamed with inside beading for clean aesthetic
- Integral socket at the top of the pipe to allow faster installation and secure connection between fittings
- Diverts rainwater to collection system via smaller diameter pipework and threaded connection



	Product Code	Galvanised	ZM Galvanized	Anthracite Grey	Dusty Grey	Sepia Brown	Grey White	Black	Aluminium Grey	Traffic White
80mm	SRW1/COL*			/GRY	/DST	/BRW	/GWT	/BLK	/AGM	/WTE
100mm	SRW2/COL*			/GRY				/BLK		

Drain Adaptor (Downpipe Cover)

- Downpipe cover used when connecting to below ground drainage system in conjunction with the rubber seal to ensure secure fitting
- Provides a clean aesthetic and avoids any gaps in pipework fitting
- Clean lines due to stamped form, concealing the gap between the differing pipe diameters
- Rubber seal is purchased separately



	Product Code	Galvanised	ZM Galvanized	Anthracite Grey	Dusty Grey	Sepia Brown	Grey White	Black	Aluminium Grey	Traffic White
80mm	SRW1/DADP*	●	●							
100mm	SRW2/DADP*	●						/BLK		

Rubber Seal

- Used with the downpipe cover shown above to create a seal between the smaller diameter downpipe and the larger diameter below ground drainage pipework
- Downpipe cover listed above is purchased separately



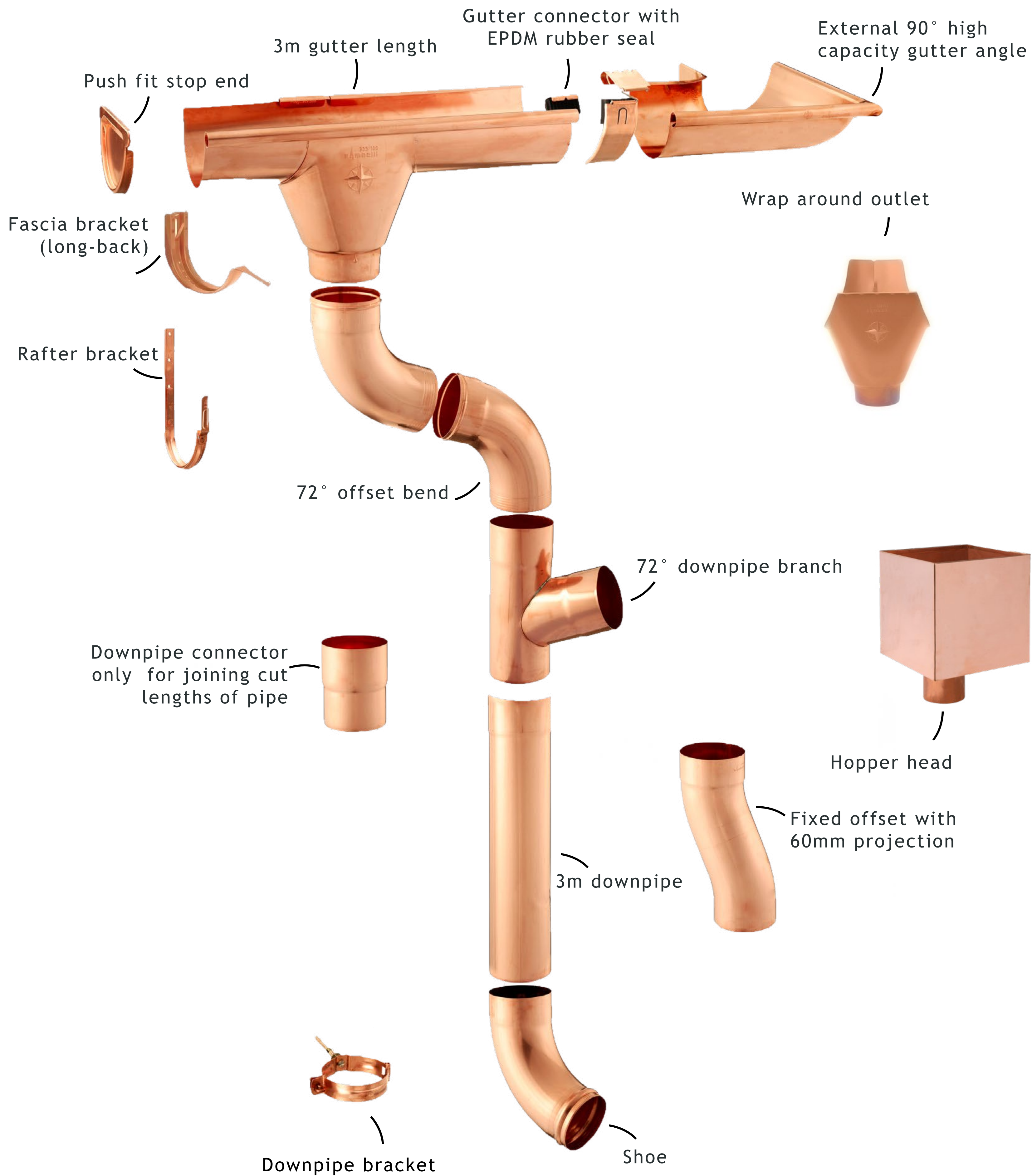
	Product Code	Galvanised	ZM Galvanized	Anthracite Grey	Dusty Grey	Sepia Brown	Grey White	Black	Aluminium Grey	Traffic White
80mm	SRW1/RS	●	●	●	●	●	●	●	●	●
100mm	SRW2/RS	●	●	●	●	●	●	●	●	●

Please note: Rubber seal is a black rubber suitable for finishes

Finishes - *to specify a plain galvanised finish order the code as shown in the first column, to specify a premium colour or finish add the correct suffix to the end of the product code, for example SRW0/3M/GRY for a 60mm downpipe 3m length in Anthracite Grey finish.

Copper and Natural Zinc System Components

Rainwater guttering systems consist of a series of components that fit together to suit the required layout. Below is a schematic showing the component options of the copper and natural zinc gutter systems.



Copper & Natural Zinc Half Round Gutters

Embrace timeless elegance with our copper and natural zinc half-round gutters. Crafted for both durability and beauty, these premium materials redefine your projects aesthetic while offering superior rainwater management. The copper patina visibly changes colour beautifully with age. The Natural Zinc shade is already pre-weathered therefore will maintain its colour finish.

3m Length



	Product Code	Copper	Natural Zinc
115mm	HRS40/3M*	/COP	/NTZ
125mm	HRS50/3M*	/COP	/NTZ
150mm	HRS60/3M*		/NTZ

- Copper and Quartz gutter systems form a thin layer called patina
- The copper patina visibly changes colour beautifully with age
- High UV resistance (RUV-4)
- Inclusive of bead connector
- Roll formed from 0.6mm copper or zinc
- 3m length as standard

Fascia Bracket



	Product Code	Copper	Natural Zinc
115mm	HRS40/FB*	/COP	●
125mm	HRS50/FB*	/COP	●
150mm	HRS60/FB*		●

Please Note: There is no natural zinc version of fascia brackets, therefore galvanised fascia brackets are used

- Manufactured to match the half round profile exactly for secure connection to both gutter and structure
- Generally position at 915mm centres, 3no. per 3m length
- Brackets for the natural zinc finish are manufactured from 1.25mm galvanised steel
- Maximum stability due to deep stamping of the reinforcing seam

Union Clip



	Product Code	Copper	Natural Zinc
115mm	HRS40/UC*	/COP	/NTZ
125mm	HRS50/UC*	/COP	/NTZ
150mm	HRS60/UC*		/NTZ

- Inclusive of rubber seal
- Snap fix system via Z spring to ensure secure and robust connection between gutter lengths and fittings
- Demountable and reusable
- Allowance for expansion within the system
- Manufactured to fit the half round system with exact precision

Push Fit Stop End



	Product Code	Copper	Natural Zinc
115mm	HRS40/SE*	/COP	/NTZ
125mm	HRS50/SE*	/COP	/NTZ
150mm	HRS60/SE*		/NTZ

- Universal fitting so can be used on either left or right hand of gutter
- Inclusive of rubber seal to allow connection and seal to gutter
- Consistent shape for accurate fitting onto half round profile
- Pressed form allows secure connection to gutter when using the rubber included

Finishes - *to specify a plain galvanised finish order the code as shown in the first column, to specify a premium colour or finish add the correct suffix to the end of the product code, for example HRS40/3MA/COP for a 115mm gutter 3m length in copper finish.

Copper & Natural Zinc Half Round Gutters

External 90° Angle



	Product Code	Copper	Natural Zinc
115mm	HRS40/EA90*	/COP	/NTZ
125mm	HRS50/EA90*	/COP	/NTZ
150mm	HRS60/EA90*		/NTZ

- Patented water bend enables perfect water flow
- Additional stability provided by welding point on the fixed bead
- Designed to connect directly onto length without the need to mitre on site
- Inclusive of bead connector
- Other angles available upon request

Internal 90° Angle



	Product Code	Copper	Natural Zinc
115mm	HRS40/IA90*	/COP	/NTZ
125mm	HRS50/IA90*	/COP	/NTZ
150mm	HRS60/IA90*		/NTZ

- Patented water bend enables perfect water flow
- Seamless deep drawn design
- Designed to connect directly onto length without the need to mitre on site
- Inclusive of bead connector
- Other angles available upon request

External 135° Angle



	Product Code	Copper	Natural Zinc
115mm	HRS40/EA135*	/COP	/NTZ
125mm	HRS50/EA135*	/COP	/NTZ
150mm	HRS60/EA135*		/NTZ

- Patented water bend enables perfect water flow
- Additional stability provided by welding point on the fixed bead
- Designed to connect directly onto length without the need to mitre on site
- Inclusive of bead connector
- Other angles available upon request

Internal 135° Angle



	Product Code	Copper	Natural Zinc
115mm	HRS40/IA135*	/COP	/NTZ
125mm	HRS50/IA135*	/COP	/NTZ
150mm	HRS60/IA135*		/NTZ

- Patented water bend enables perfect water flow
- Seamless deep drawn design
- Designed to connect directly onto length without the need to mitre on site
- Inclusive of bead connector
- Other angles available upon request

Finishes - *to specify a plain galvanised finish order the code as shown in the first column, to specify a premium colour or finish add the correct suffix to the end of the product code, for example HRS40/3MA/COP for a 115mm gutter 3m length in copper finish.

Copper & Natural Zinc Half Round Gutters

Wrap Around Outlet 80mm Pipe



	Product Code	Copper	Natural Zinc
115mm	HRS40/RO80*	/COP	/NTZ
125mm	HRS50/RO80*	/COP	/NTZ

- Patented reinforced bend for maximum stability
- Chamfered for accuracy and speed during installation
- Three point connection around profile to ensure secure fit
- Requires cutting on site, refer to installation instructions
- Provides flexibility during installation as this unit can be installed anywhere along the length

Wrap Around Outlet 100mm Pipe



	Product Code	Copper	Natural Zinc
150mm	HRS60/RO100*		/NTZ

- Patented reinforced bend for maximum stability
- Chamfered for accuracy and speed during installation
- Three point connection around profile to ensure secure fit
- Requires cutting on site, refer to installation instructions
- Provides flexibility during installation as this unit can be installed anywhere along the length

Pre Fabricated Outlet 80mm Pipe



	Product Code	Copper	Natural Zinc
115mm	HRS40/ROA80*	/COP	/NTZ
125mm	HRS50/ROA80*	/COP	/NTZ

- Pre-fabricated outlet within a 300mm length of gutter
- Can be connected easily on site via union clips to speed installation and avoid having to cut the outlet for the wrap around version
- Inclusive of bead connector
- Tapered outlet to allow higher flow rate and transition from horizontal to vertical drainage

Pre Fabricated Outlet 100mm Pipe



	Product Code	Copper	Natural Zinc
150mm	HRS60/ROA100*		/NTZ

- Pre-fabricated outlet within a 300mm length of gutter
- Can be connected easily on site via union clips to speed installation and avoid having to cut the outlet for the wrap around version
- Inclusive of bead connector
- Tapered outlet to allow higher flow rate and transition from horizontal to vertical drainage

Bead Connector



	Product Code	Copper	Natural Zinc
115mm	HRS40/BC	●	●
125mm	HRS50/BC	●	●
150mm	HRS60/BC		●

- Included with assembly codes of the parts listed above
- If replacements or spares are required the codes below can be ordered
- Must be installed wherever a connection is made
- Designed to fit within the rolled front edge of the half round profile in order to secure the front edge of two parts being
- Please ensure a 5mm expansion gap is provided for movement

Finishes - *to specify a plain galvanised finish order the code as shown in the first column, to specify a premium colour or finish add the correct suffix to the end of the product code, for example HRS40/3MA/COP for a 115mm gutter 3m length in copper finish.

Copper & Natural Zinc Half Round Gutters

Side Fix Rafter Bracket



	Product Code	Copper	Natural Zinc
115mm	HRS40/SF*		●
125mm	HRS50/SF*	/COP	●
150mm	HRS60/SF*		●

Please note: There is no natural zinc version of rafter brackets, therefore galvanised rafter brackets are used

- For use in applications where no fascia is present and the rafters are exposed
- Half round profile to secure the gutter in place once installed
- Side fix rafter brackets are designed to fix into the side of an exposed rafter
- Can be installed after the roof covering has been installed

Top Fix Rafter Bracket



	Product Code	Copper	Natural Zinc
115mm	HRS40/TF*	/COP	●
125mm	HRS50/TF*	/COP	●
150mm	HRS60/TF*		●

Please note: There is no natural zinc version of rafter brackets, therefore galvanised rafter brackets are used

- Top fix rafter bracket fixed to the top of exposed rafter
- Half round profile to secure the gutter in place once installed
- Side fix rafter brackets are designed to fix into the side of an exposed rafter
- Must be installed before the roof covering has been installed
- Rafter brackets can be bent on site to suit, additional bending tool available to purchase.

Top-Fix Rafter Bracket Bending Tool



Product Code
HRS/RAFTBEND

- Top-fix rafter gutter-bracket bending tool
- For use on steel top fix brackets that need to be 'Bent On Site'

Fascia Bracket Angle Adjuster



Product Code
HRS/FBAA

- For use with Standard copper half round fascia brackets
- Use to adjust the angle of the fascia bracket when fascia is not straight

Finishes - *to specify a plain galvanised finish order the code as shown in the first column, to specify a premium colour or finish add the correct suffix to the end of the product code, for example HRS40/3MA/COP for a 115mm gutter 3m length in copper finish.

Copper & Natural Zinc Circular Downpipes

3m Length



	Product Code	Copper	Natural Zinc
80mm	SRW1/3M*	/COP	/NTZ
100mm	SRW2/3M*	/COP	/NTZ

- Seamed with inside beading for clean aesthetic
- Integral socket at the top of the pipe to allow faster installation and secure connection between fittings
- 3m length as standard
- Roll formed from 0.6mm copper or zinc

Pipe Clip



	Product Code	Copper	Natural Zinc
80mm	SRW1/PC*		●
100mm	SRW2/PC*		●

Please Note: There is no natural zinc version of pipe clips, therefore galvanised pipe clips are used

- Safe fastening of pipework to structure
- Stainless steel screw provided to easily tighten or loosen bracket
- Precision accuracy to ensure pipe is secured
- Recommended 2m maximum distance between pipe clips

Pipe Clip M10 Boss



	Product Code	Copper	Natural Zinc
80mm	SRW1/PC/10*	/COP	●
100mm	SRW2/PC/10*	/COP	●

Please Note: There is no natural zinc version of pipe clips, therefore galvanised pipe clips are used

- Safe fastening of pipework to structure
- Stainless steel screw provided to easily tighten or loosen bracket
- Precision accuracy to ensure pipe is secured
- Recommended 2m maximum distance between pipe clips
- M10 boss connection to secure to structure
- You will need to order the M10 Screw and choose between 3 lengths

M10 Steel Screw



	Product Code	Copper	Natural Zinc
100mm	CPM10/SCREW100	●	
140mm	CPM10/SCREW140	●	
200mm	CPM10/SCREW200	●	
100mm	M10/SCREW100		●
140mm	M10/SCREW140		●
200mm	M10/SCREW200		●

- For use with the Pipe Clip M10 Boss

Finishes - *to specify a plain galvanised finish order the code as shown in the first column, to specify a premium colour or finish add the correct suffix to the end of the product code, for example SRW1/3MA/COP for a 115mm gutter 3m length in copper finish.

Copper & Natural Zinc Circular Downpipes

Downpipe Connector



	Product Code	Copper	Natural Zinc
80mm	SRW1/DC*	/COP	/NTZ
100mm	SRW2/DC*	/COP	/NTZ

- For use connecting off cuts of pipework together and the socket at the top of the pipe has been removed
- Fast and simple installation
- Consistent shape and accuracy of dimensions to allow internal connection to pipework below and external connection via socket above

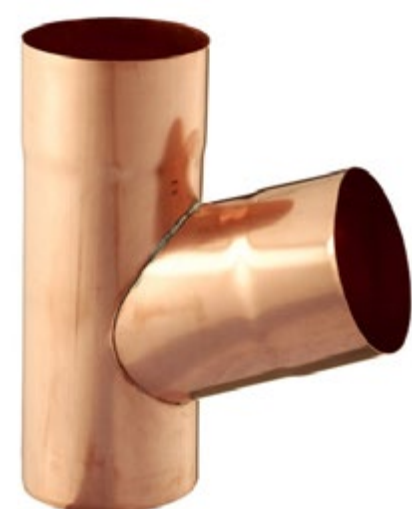
Reducer



	Product Code	Copper	Natural Zinc
80mm	SRW1/RED*	/COP	

- For use when a transition from a larger pipe diameter to a smaller pipe diameter is required
- SRW2 pipe reducers are dual spigoted to fit either SRW1 or SRW0
- Roll formed from 0.6mm Copper or zinc

72° Branch



	Product Code	Copper	Natural Zinc
80mm	SRW1/BR/72*	/COP	/NTZ
100mm	SRW2/BR/72*	/COP	/NTZ

- Manufactured from butt welded seamless pipework
- Used in conjunction with 70° bend to connect onto additional pipework to create a system
- Precision engineering to ensure secure fit

Finishes - *to specify a plain galvanised finish order the code as shown in the first column, to specify a premium colour or finish add the correct suffix to the end of the product code, for example SRW1/3MA/COP for a 115mm gutter 3m length in copper finish.

Copper & Natural Zinc Circular Downpipes

70° Bend



	Product Code	Copper	Natural Zinc
80mm	SRW1/OSB/70*	/COP	/NTZ
100mm	SRW2/OSB/70*	/COP	/NTZ

- Manufactured from butt welded seamless pipework
- Used in conjunction with 72° branch to connect onto additional pipework to create a system
- Precision engineering to ensure secure fit

90° Bend



	Product Code	Copper	Natural Zinc
80mm	SRW1/OSB/90*	/COP	/NTZ
100mm	SRW2/OSB/90*	/COP	/NTZ

- Manufactured from butt welded seamless pipework
- When two 90° bends are used together this can create an offset to position downpipes against structure
- Can incorporate a length of pipe between two bends to work with larger soffit depths
- Precision engineering to ensure secure fit

Adjustable Two Part Offset



	Product Code	Copper	Natural Zinc
80mm	SRW1/AOS/700*		/NTZ
100mm	SRW2/AOS/700*		/NTZ

- Complete offset for use when eaves protrude away from the structure where the downpipe will be fixed
- Reduces the number of connections and cuts in comparison to bends
- Offset dimension is between 200-700mm to allow adjustment on site to ensure a secure fitting everytime

Fixed 60mm Offset



	Product Code	Copper	Natural Zinc
80mm	SRW1/FOS/60*	/COP	/NTZ
100mm	SRW2/FOS/60*	/COP	/NTZ

- Offset dimension fixed at 60mm
- Typically used at the base of a stack to line up with a gully or below ground drainage system
- Can also be used as a fixed offset at the top of the stack to achieve a 60mm offset if required

Shoe



	Product Code	Copper	Natural Zinc
80mm	SRW1/SH*	/COP	/NTZ
100mm	SRW2/SH*	/COP	/NTZ

- Seamed with inside beading for clean aesthetic
- Integral socket at the top of the pipe to allow faster installation and secure connection between fittings
- Used at the base of a stack to discharge water horizontally toward a gully or below ground drainage

Finishes - *to specify a plain galvanised finish order the code as shown in the first column, to specify a premium colour or finish add the correct suffix to the end of the product code, for example SRW1/3MA/COP for a 115mm gutter 3m length in copper finish.

Copper & Natural Zinc Hoppers & Accessories

Contemporary Hopper



	Product Code	Copper	Natural Zinc
80mm	SRW1/HH/GSR*	/COP	/NTZ
100mm	SRW2/HH/GSR*	/COP	/NTZ

- Used at the top of a stack to accept rainwater from a chute, rainwater outlet or downpipe
- Spigoted to allow connection into the standard socketed fittings
- Contemporary design with clean edges and box form
- Overall dimensions 385mm high x 220mm wide x 220mm deep

Parapet Hopper



	Product Code	Copper	Natural Zinc
80mm	SRW1/HH/PCH*		/NTZ
100mm	SRW2/HH/PCH*		/NTZ

- Used at the top of a stack to accept rainwater from a chute, rainwater outlet or downpipe
- Spigoted to allow connection into the standard socketed fittings
- Elongated rounded style to accept the discharge from a chute or rainwater outlet

Please Note: Parapet hoppers may be on an extended leadtime

Leaf Guard



	Product Code	Copper	Natural Zinc
80mm	SRW1/LG*	/COP	/NTZ
100mm	SRW2/LG*	/COP	/NTZ

- Stops debris falling into the downpipe and creating a blockage in the following pipework system
- Generally used in areas where tree coverage is high
- Access pipes can be used as an alternative to clear blockages at ground level rather than having regular maintenance at eaves level

Access Pipe



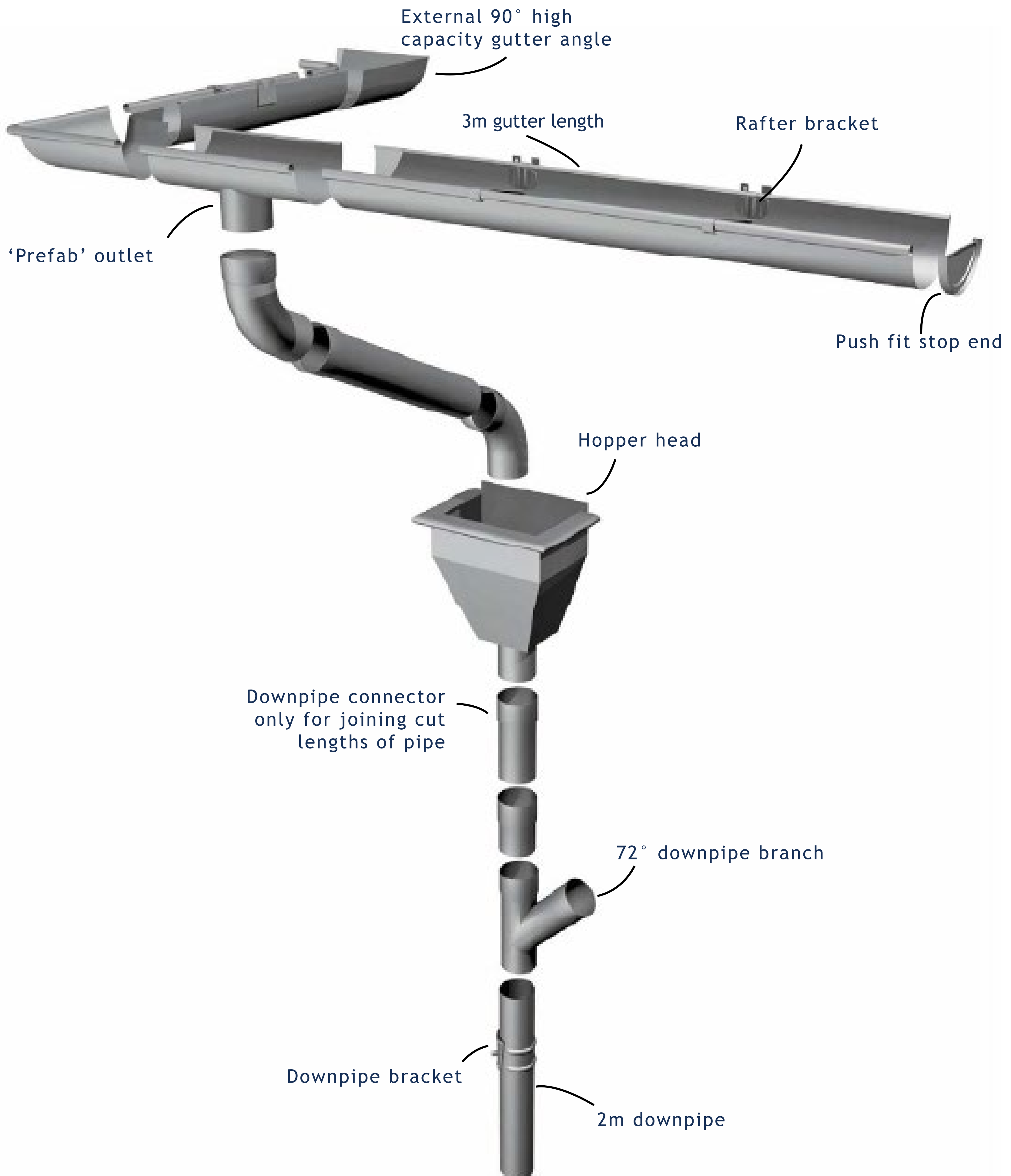
	Product Code	Copper	Natural Zinc
80mm	SRW1/AP*	/COP	/NTZ
100mm	SRW2/AP*		/NTZ

- Seamed with inside beading for clean aesthetic
- Integral socket at the top of the pipe to allow faster installation and secure connection between fittings
- Used near to ground level to gain access to the pipe in order to clear blockages in either direction

Finishes - *to specify a plain galvanised finish order the code as shown in the first column, to specify a premium colour or finish add the correct suffix to the end of the product code, for example SRW1/3MA/COP for a 115mm gutter 3m length in copper finish.

Quartz Zinc System Components

Rainwater guttering systems consist of a series of components that fit together to suit the required layout. Below is a schematic showing the component options of the Quartz Zinc gutter system.



Quartz Zinc Half Round Gutters

A fusion of modern aesthetics and enduring strength. Elevate your projects exterior with a touch while ensuring reliable rainwater management. The surface is resistant to the accumulation of dirt and debris thereby ensuring that good waterflow and discharge rates are maintained.

3m Length



	Product Code	Quartz Zinc
125mm	HRS50/3M*	/QZ

- Quartz Zinc for permanent corrosion prevention
- High UV resistance (RUV-4)
- Inclusive of bead connector
- Roll formed from 0.6mm zinc
- 3m length as standard

Concealed Bracket



	Product Code	Quartz Zinc
125mm	HRS50/FB*	/QZ

- Designed to be easily and quickly installed
- Fixed at 400mm max centres
- Simply clip the bracket onto the front edge of the gutter to support
- Gutter joints are bonded and sealed using a high performance gun-applied one component MS polymer solvent-free adhesive.

External 90° Angle



	Product Code	Quartz Zinc
125mm	HRS50/EA90*	/QZ

Please note: Other degree of angles are available upon request

- Designed to connect directly onto length without the need to mitre on site
- Easily connected via the same jointing method used to connect onto gutter lengths
- Other angles available upon request

Internal 90° Angle



	Product Code	Quartz Zinc
125mm	HRS50/IA90*	/QZ

Please note: Other degree of angles are available upon request

- Designed to connect directly onto length without the need to mitre on site
- Easily connected via the same jointing method used to connect onto gutter lengths
- Other angles available upon request

Finishes - *to specify a plain galvanised finish order the code as shown in the first column, to specify a premium colour or finish add the correct suffix to the end of the product code, for example HRS50/3MA/QZ for a 125mm gutter 3m length in Quartz Zinc finish.

Quartz Zinc Half Round Gutters

Pre Fabricated Outlet 80mm Pipe



	Product Code	Quartz Zinc
125mm	HRS50/ROA80*	/QZ

- Pre-fabricated outlet within a 300mm length of gutter
- Can be connected easily on site via union clips to speed installation and avoid having to cut the outlet for the wrap around version
- Tapered outlet to allow higher flow rate and transition from horizontal to vertical drainage

Wrap Around Outlet 80mm Pipe



	Product Code	Quartz Zinc
125mm	HRS50/RO80*	/QZ

- Patented reinforced bend for maximum stability
- Chamfered for accuracy and speed during installation
- Three point connection around profile to ensure secure fit
- Requires cutting on site, refer to installation instructions
- Provides flexibility during installation as this unit can be installed anywhere along the length

Stop End



	Product Code	Quartz Zinc
125mm	HRS50/SE*	/QZ

- Universal fitting so can be used on either left or right hand of gutter
- Consistent shape for accurate fitting onto half round profile
- Pressed form allows secure connection to gutter when using the Quartz Zinc Adhesive

Infinity Adhesive



	Product Code	Quartz Zinc
310ml	HRS/ADHESIVE	●

- Adhesive for Infinity Rainwater
- Strong adhesive to ensure secure connection
- Applicable on damp surfaces
- UV-resistant and solvent-free
- Grey in colour but is also coatable and odourless
- Volume: 310 ml

Finishes - *to specify a plain galvanised finish order the code as shown in the first column, to specify a premium colour or finish add the correct suffix to the end of the product code, for example HRS50/3MA/QZ for a 125mm gutter 3m length in Quartz Zinc finish.

Quartz Zinc Circular Downpipes

2m Length



	Product Code	Quartz Zinc
80mm	SRW1/2M*	/QZ

- Integral socket at the top of the pipe to allow faster installation and secure connection between fittings
- 2m length as standard
- Roll formed from 0.6mm zinc

Self Locking Pipe Clip



	Product Code	Quartz Zinc
80mm	SRW1/PC*	/QZ

- Downpipes are secured to the wall using a simple but ingenious v-lock and self-locking bracket assembly
- Downpipes are then push-fitted together but are not bonded, allowing the joints to expand and contract to accommodate varying thermal conditions.

Downpipe Connector



	Product Code	Quartz Zinc
80mm	SRW1/DC*	/QZ

- For use connecting off cuts of pipework together and the socket at the top of the pipe has been removed
- Fast and simple installation
- Consistent shape and accuracy of dimensions to allow internal connection to pipework below and external connection via socket above

72° Branch



	Product Code	Quartz Zinc
80mm	SRW1/BR/72*	/QZ

- Manufactured from butt welded seamless pipework
- Used in conjunction with 70° bend to connect onto additional pipework to create a system
- Precision engineering to ensure secure fit

70° Bend



	Product Code	Quartz Zinc
80mm	SRW1/OSB/70*	/QZ

- Manufactured from butt welded seamless pipework
- Used in conjunction with 72° branch to connect onto additional pipework to create a system
- Precision engineering to ensure secure fit

Finishes - *to specify a plain galvanised finish order the code as shown in the first column, to specify a premium colour or finish add the correct suffix to the end of the product code, for example HRS50/3MA/QZ for a 125mm gutter 3m length in Quartz Zinc finish.

Quartz Zinc Circular Downpipes

90° Bend



	Product Code	Quartz Zinc
80mm	SRW1/OSB/90*	/QZ

- Manufactured from butt welded seamless pipework
- When two 90° bends are used together this can create an offset to position downpipes against structure
- Can incorporate a length of pipe between two bends to work with larger soffit depths
- Precision engineering to ensure secure fit

Fixed 60mm Offset



	Product Code	Quartz Zinc
80mm	SRW1/FOS/60*	/QZ

- Offset dimension fixed at 60mm
- Typically used at the base of a stack to line up with a gully or below ground drainage system
- Can also be used as a fixed offset at the top of the stack to achieve a 60mm offset if required

Short Heel Shoe



	Product Code	Quartz Zinc
80mm	SRW1/SHS*	/QZ

- Used at the base of a stack to discharge water horizontally toward a gully or below ground drainage
- Short heel shoe allows discharge at a shallower angle

Access Pipe



	Product Code	Quartz Zinc
80mm	SRW1/AP*	/QZ

- Integral socket at the top of the pipe to allow faster installation and secure connection between fittings
- Used near to ground level to gain access to the pipe in order to clear blockages in either direction

Finishes - *to specify a plain galvanised finish order the code as shown in the first column, to specify a premium colour or finish add the correct suffix to the end of the product code, for example HRS50/3MA/QZ for a 125mm gutter 3m length in Quartz Zinc finish.

Quartz Zinc Hoppers & Adhesives

Contemporary Hopper



	Product Code	Quartz Zinc
80mm	SRW1/HH/GSR*	/QZ

- Used at the top of a stack to accept rainwater from a chute, rainwater outlet or downpipe
- Spigoted to allow connection into the standard socketed fittings
- Contemporary design with clean edges and box form
- Overall dimensions 220mm high x 220mm wide x 220mm deep

Ornamental Hopper



	Product Code	Quartz Zinc
80mm	SRW1/HH/ORN*	/QZ

- Used at the top of a stack to accept rainwater from a chute, rainwater outlet or downpipe
- Spigoted to allow connection into the standard socketed fittings
- Ornamental decorative style with decorative features
- Overall dimensions 255mm high x 260mm wide x 185mm deep

Infinity Adhesive



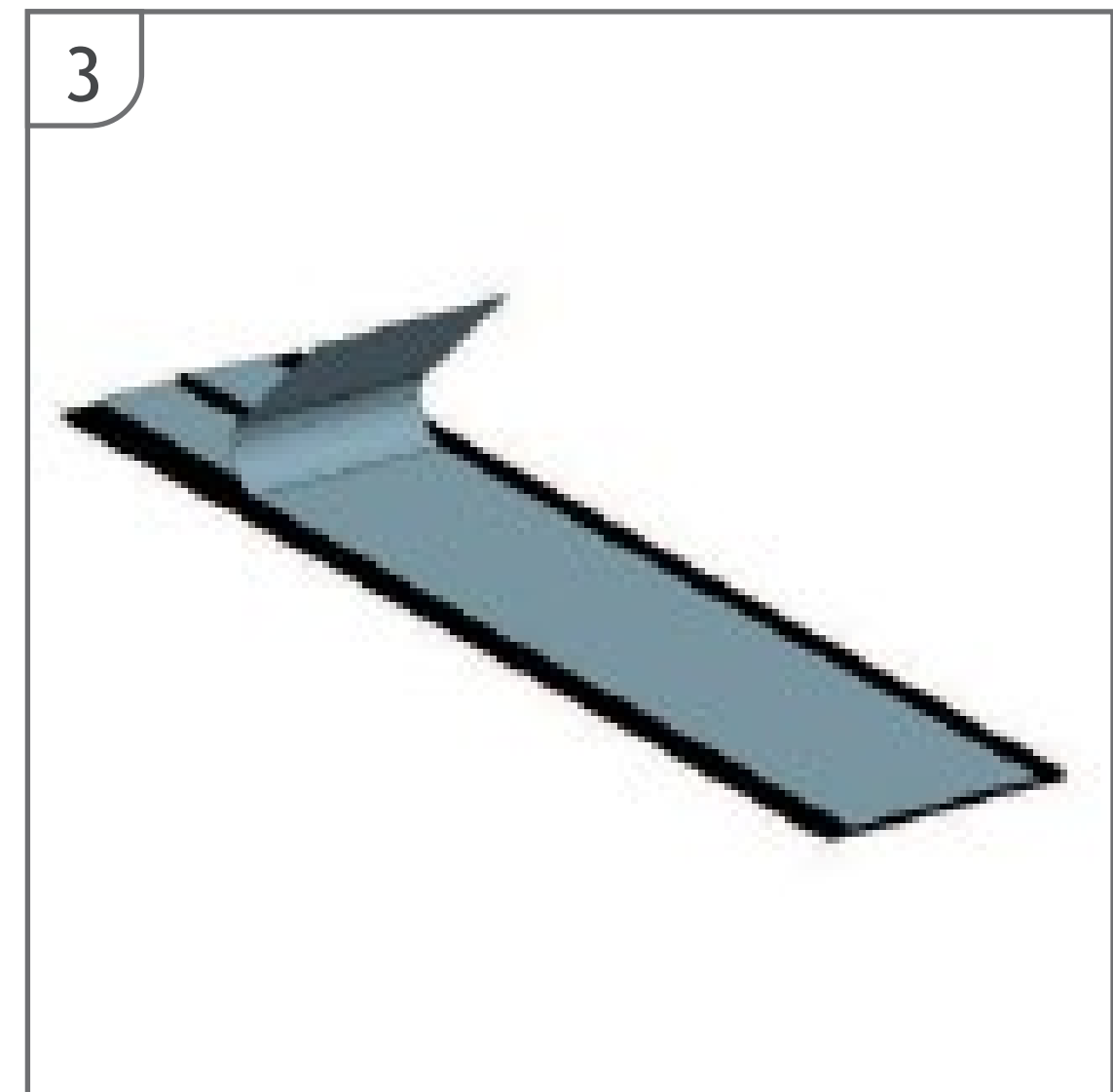
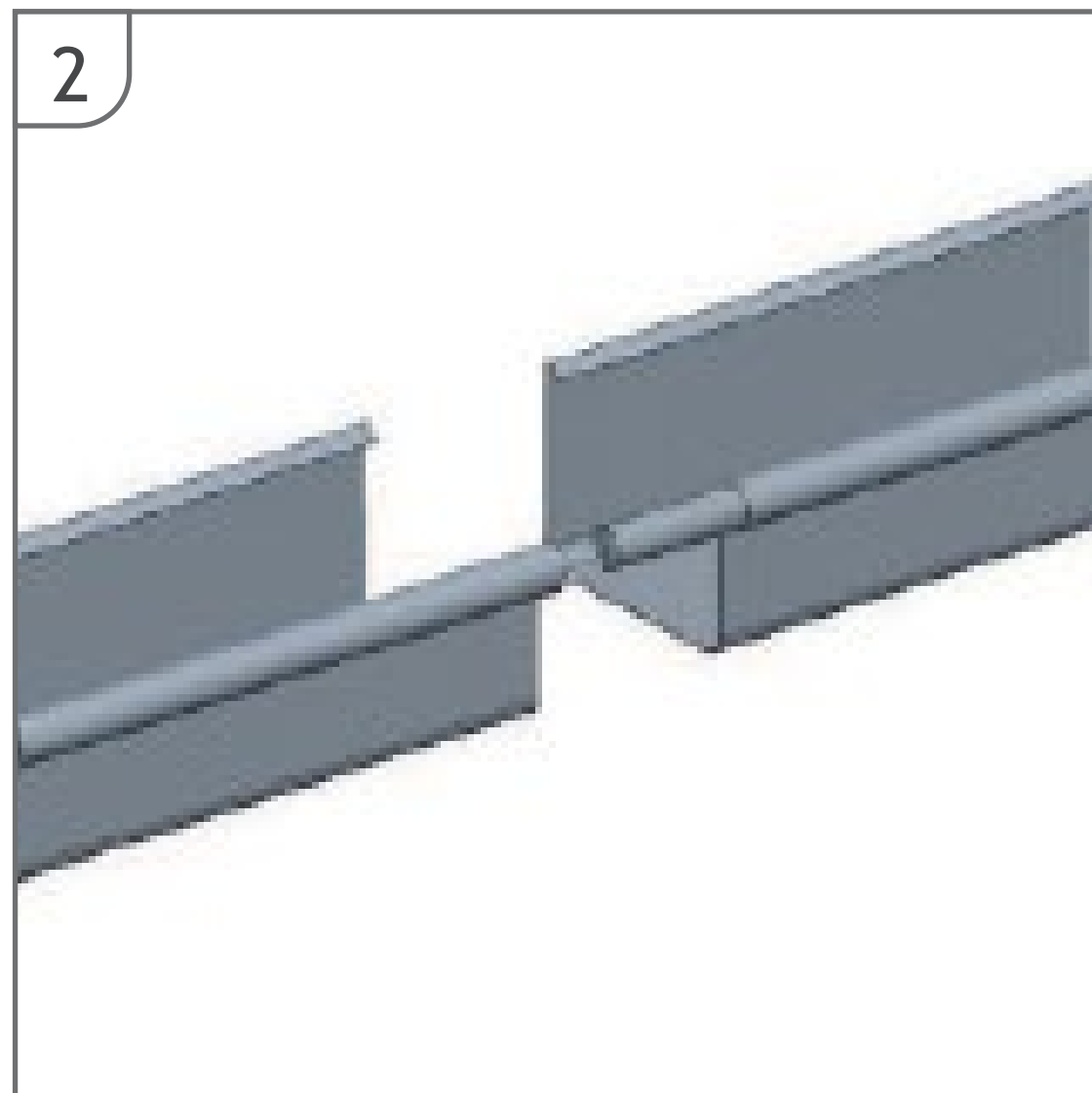
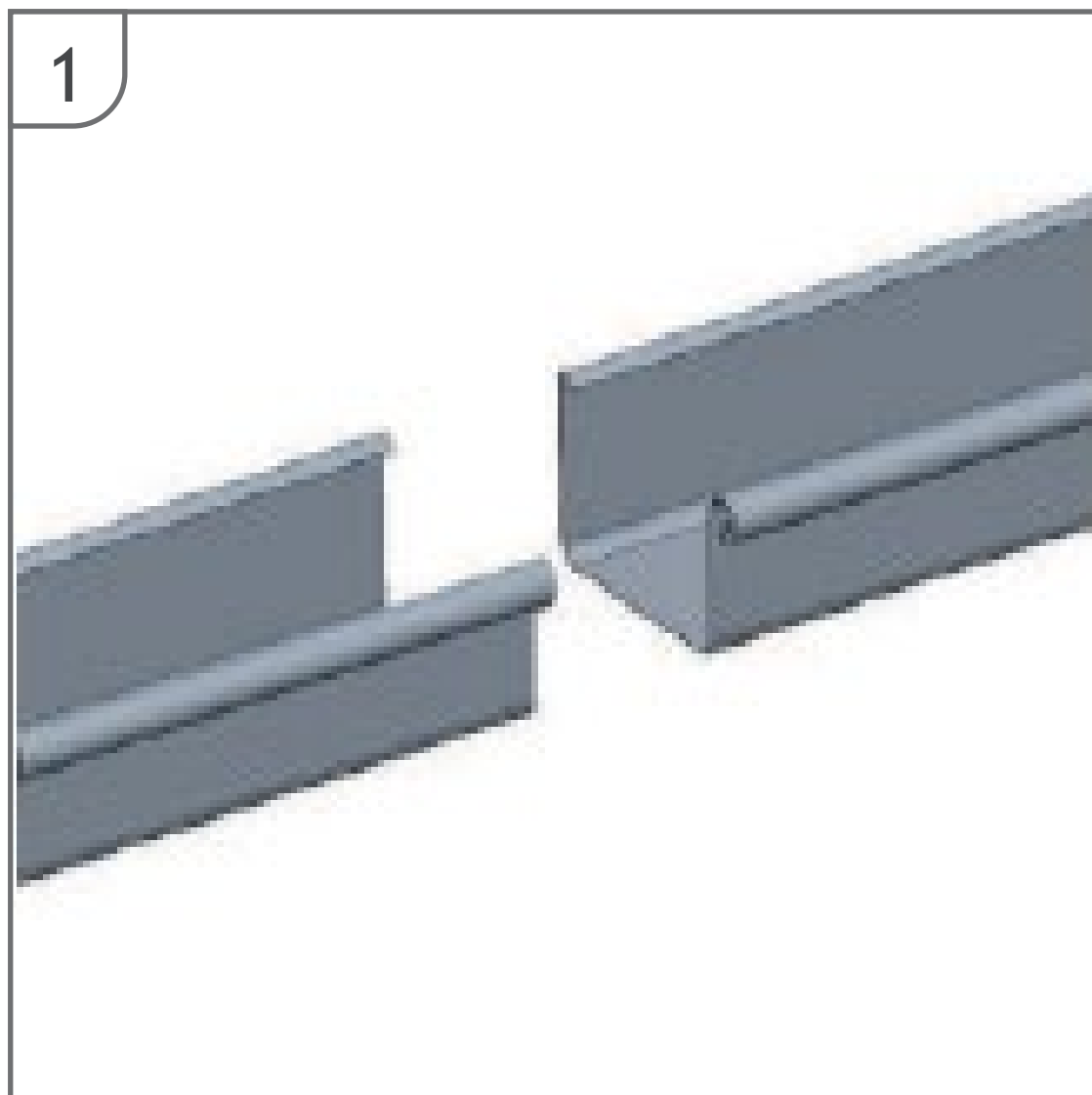
	Product Code	Quartz Zinc
310ml	HRS/ADHESIVE	●

- Adhesive for Infinity Rainwater
- Strong adhesive to ensure secure connection
- Applicable on damp surfaces
- UV-resistant and solvent-free
- Grey in colour but is also coatable and odourless
- Volume: 310 ml

Finishes - *to specify a plain galvanised finish order the code as shown in the first column, to specify a premium colour or finish add the correct suffix to the end of the product code, for example HRS50/3MA/QZ for a 125mm gutter 3m length in Quartz Zinc finish.

Box Gutter Installation Guides

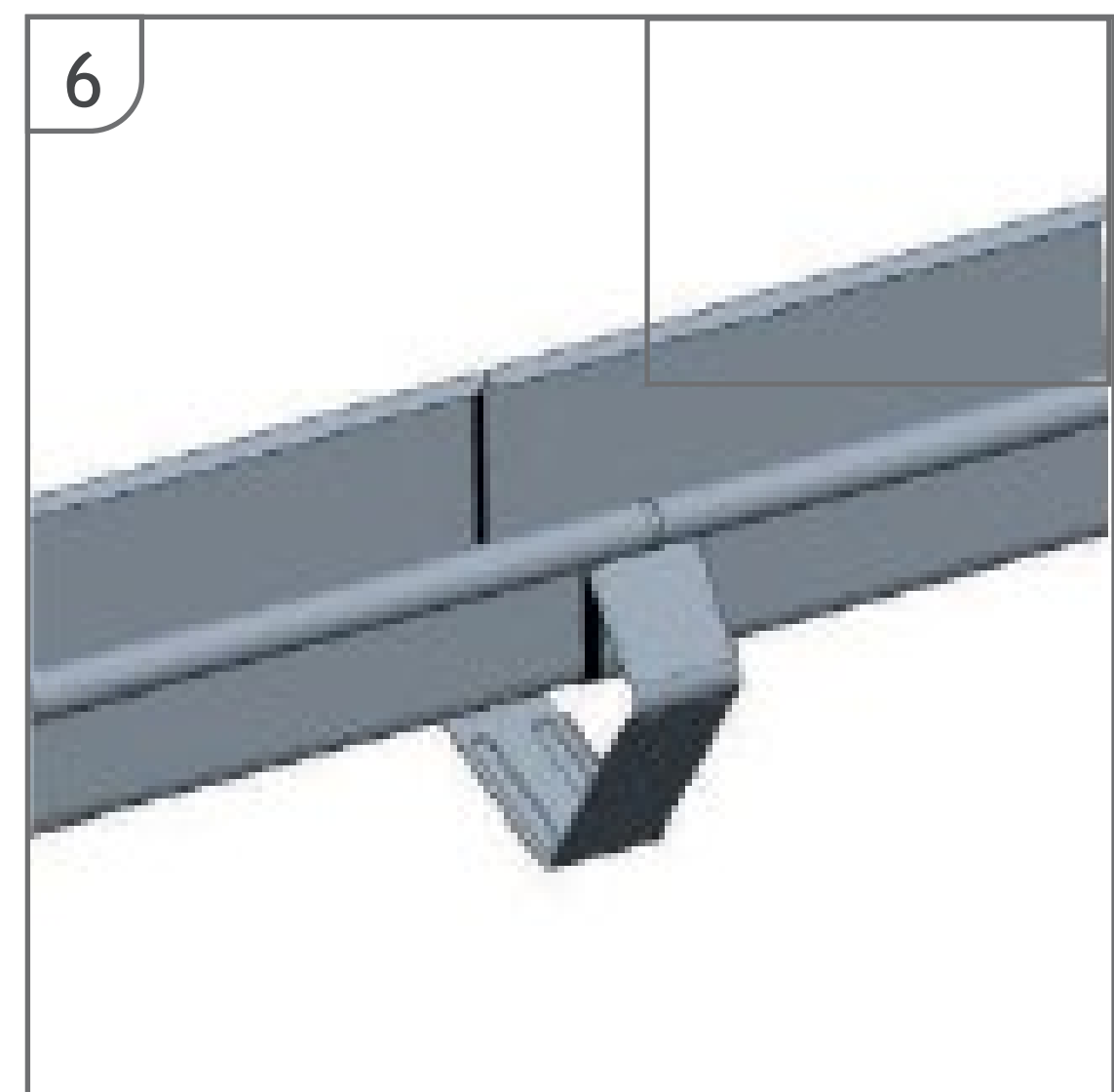
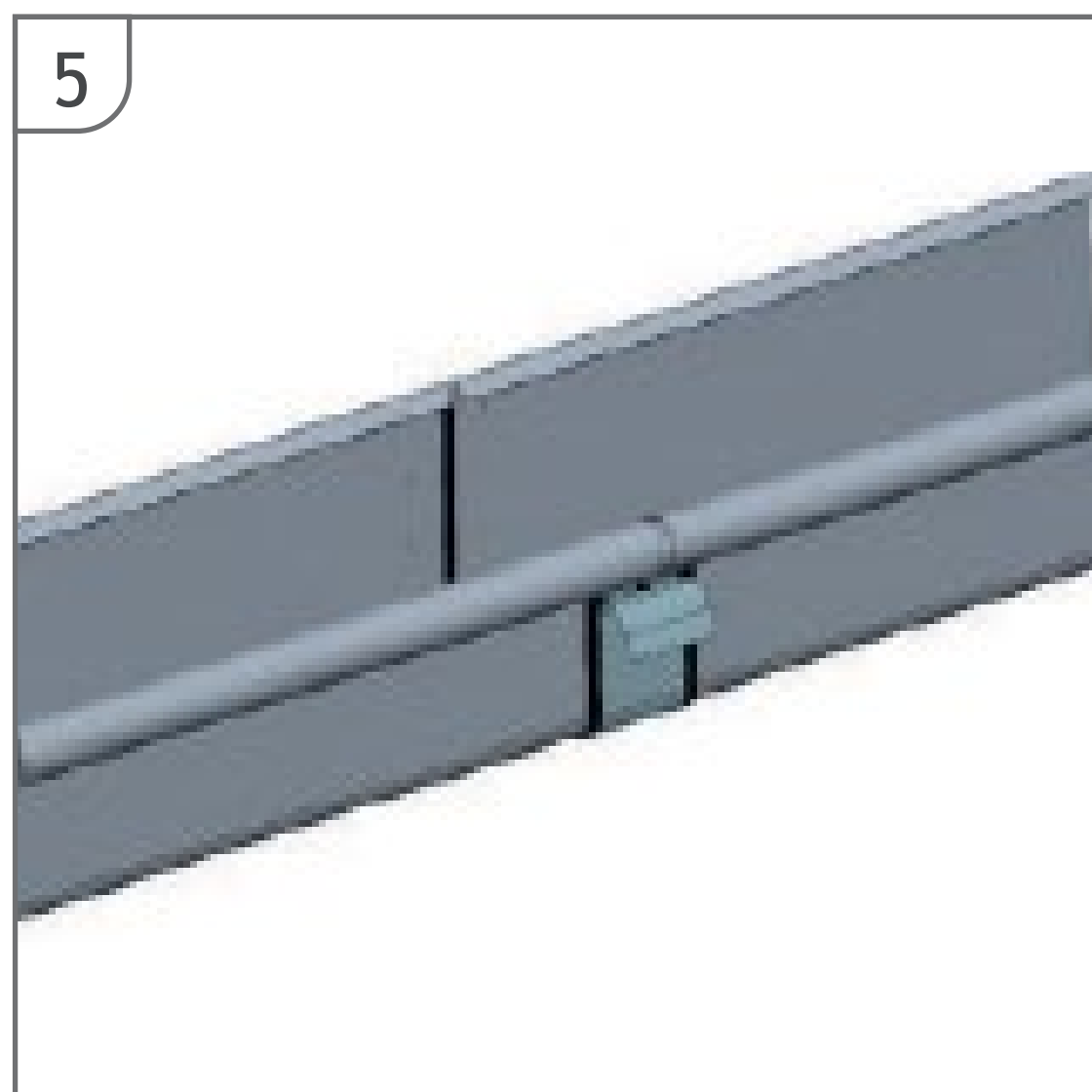
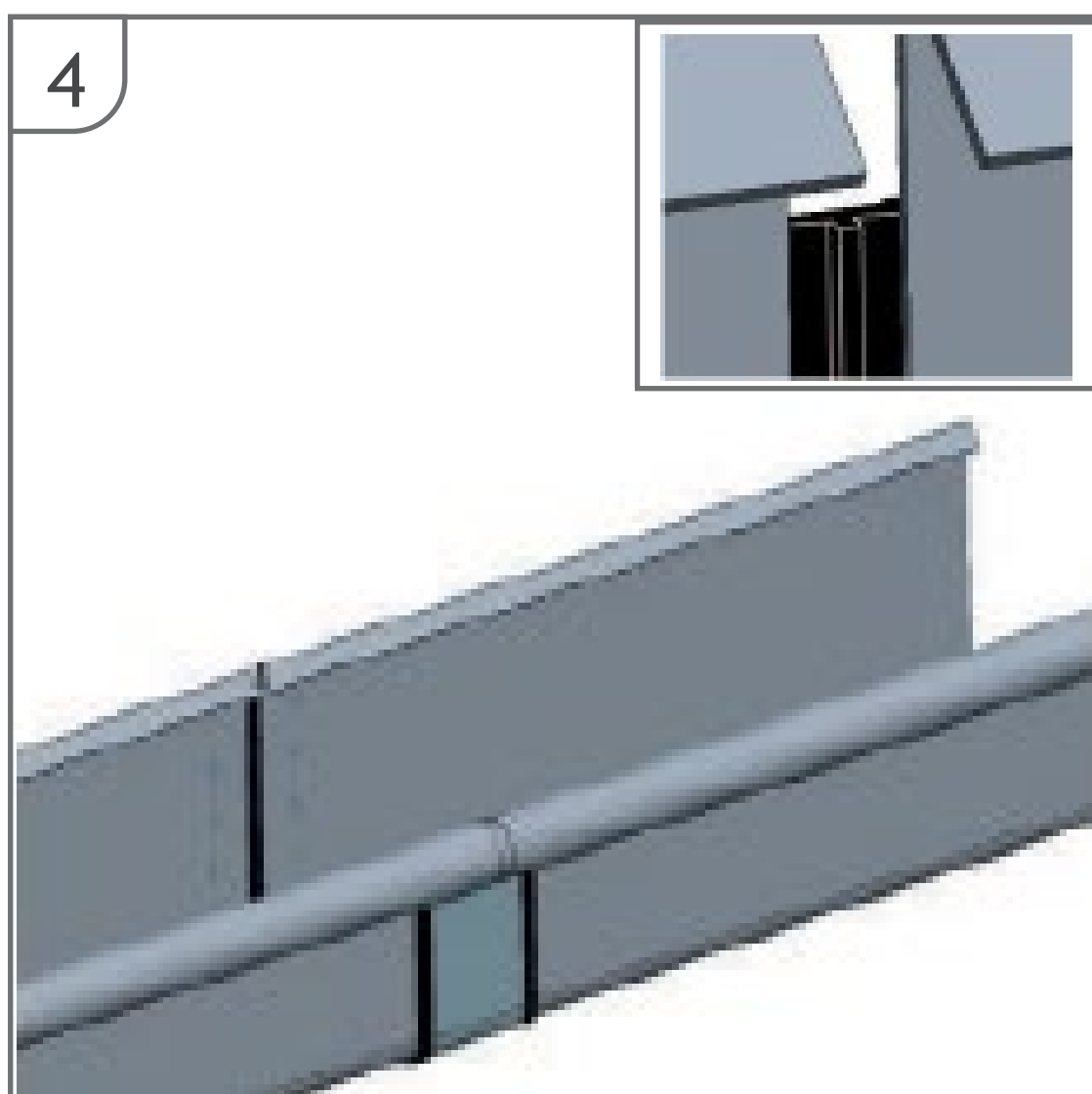
The gutter range can be connected to the steel pipework system and secured by standard pipe clips. The assembly and installation must be considered individually depending on the project, although general aspects of preparation are common to all as shown below.



- Clean the outer surfaces at the edges of both the lengths of gutter to be joined with a suitable cleaning agent (And if lengths have been cut down, deburr the ends).

- Insert the bead connector halfway into the front 'bead/rolls' of both gutters, leaving an approx. 5 mm gap between the ends of the two gutter lengths.

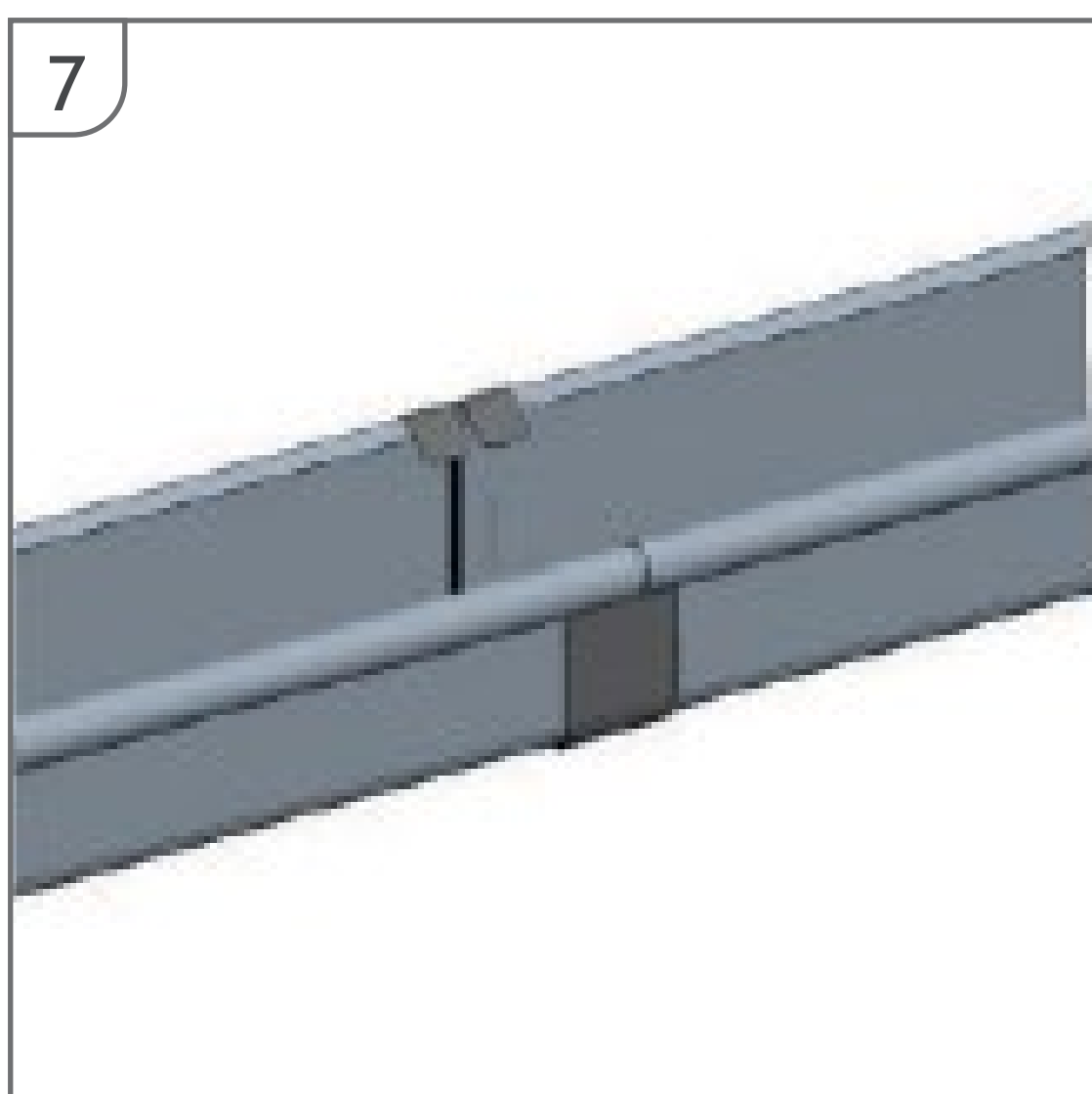
- Remove the protection film from the adhesive surface (on ridged side) of the rubber sealing strip.



- Attach the sealing strip over both ends of the gutters, starting at the 'bead/roll' at the front edge. Keep a slight tension on the strip to stretch round to the back while also smoothing/pressing down for a good bond.

- Remove the remaining protection film from the rubber sealing strip's final adhesive surface.

- Attaching the box gutter connector: Hook the connector onto the bead at the front first, then pressing onto the adhesive surfaces of the seal throughout, wrap it around the gutter lengths over the join to the back.



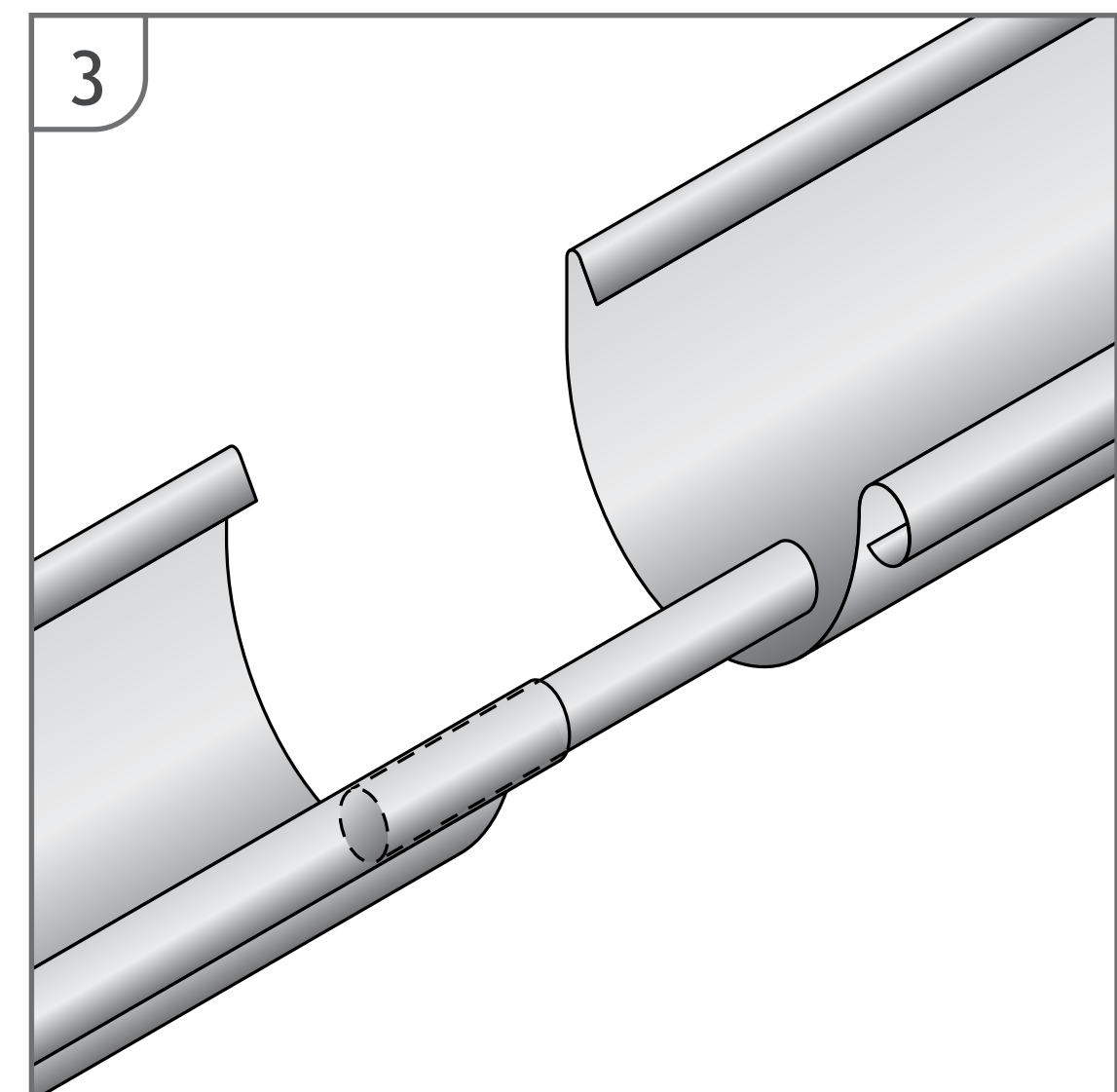
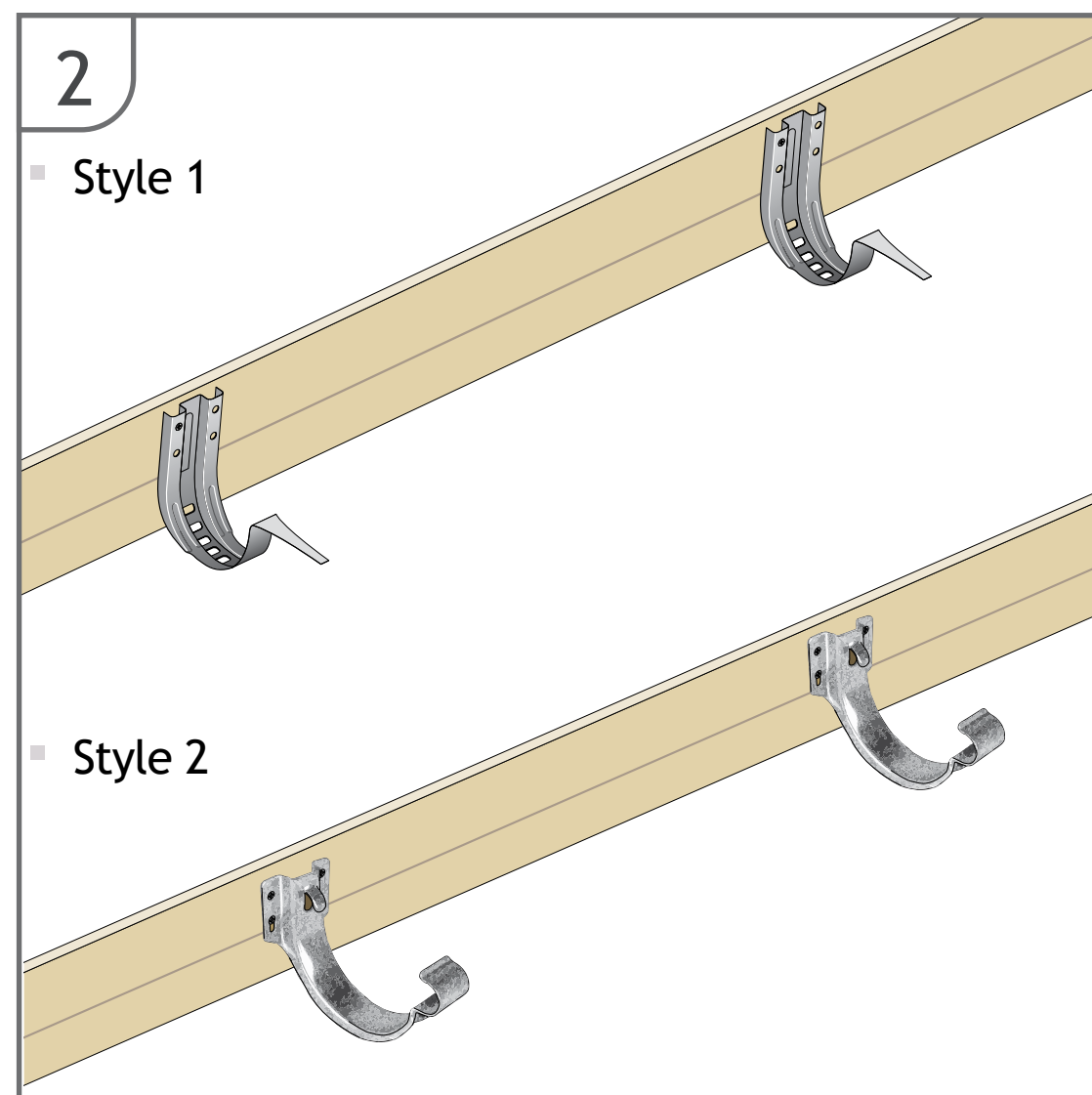
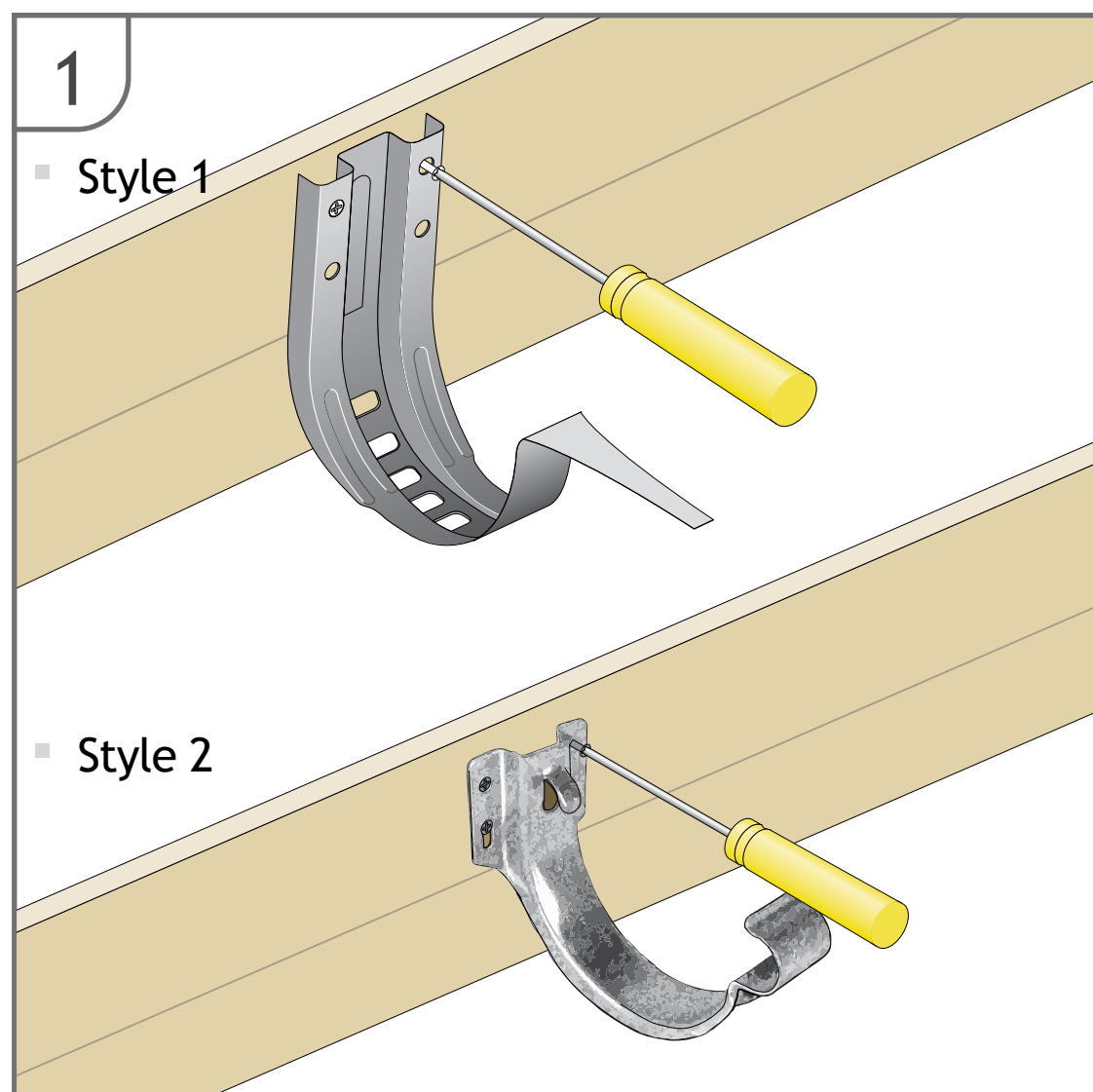
- Finally fold the flaps at the back of the connector over the rear fold of the gutter lengths.

Important information

- The end/last fascia bracket on the gutter run should be placed 30 cm from the gutter end or corner. (Brackets at 915mm centres). Gutter angles are supported by two unions and don't require their own fascia bracket.
- Wear gloves when installing Plain Galv Steel: The Plain Galv will dull over time. Touching it without gloves breaks through the oily surface and starts the weathering process earlier in those areas. In a few months the 'weathering' will catch up all over.
- Try to keep pressing down on the entire surface of the rubber seal (as much as possible) throughout to encourage a good bond over the entire length of each seal.

Half Round Installation Guide

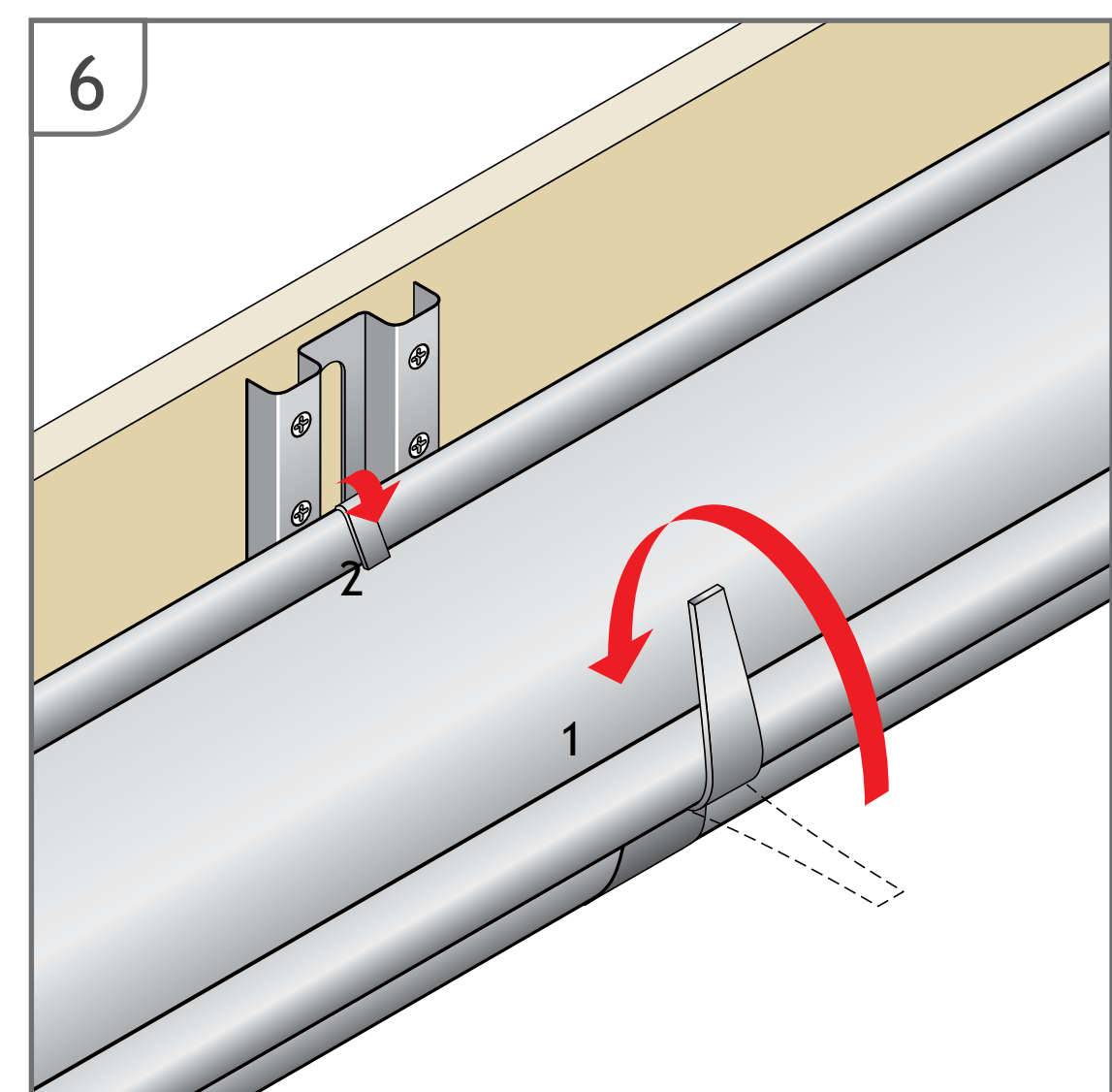
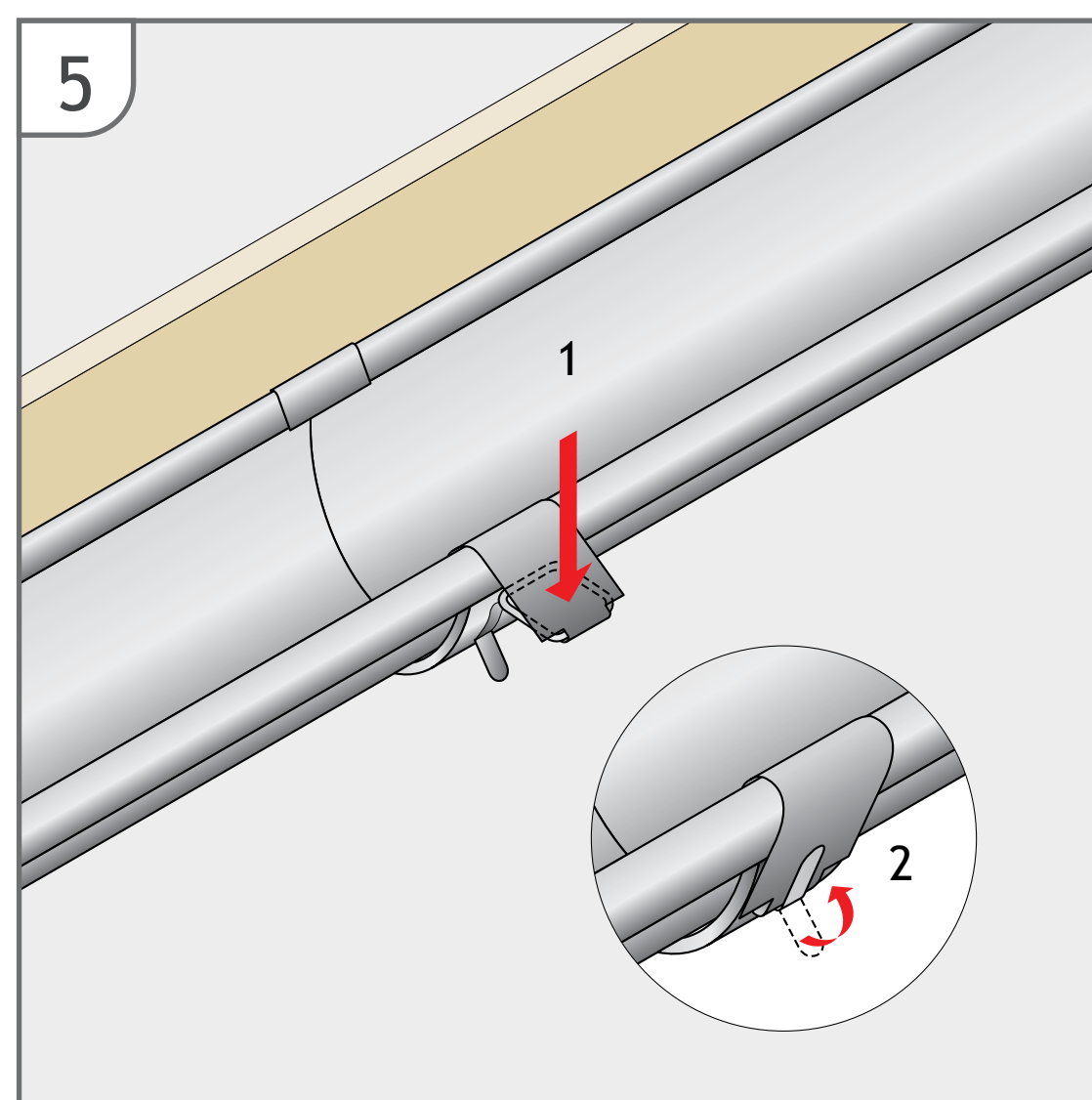
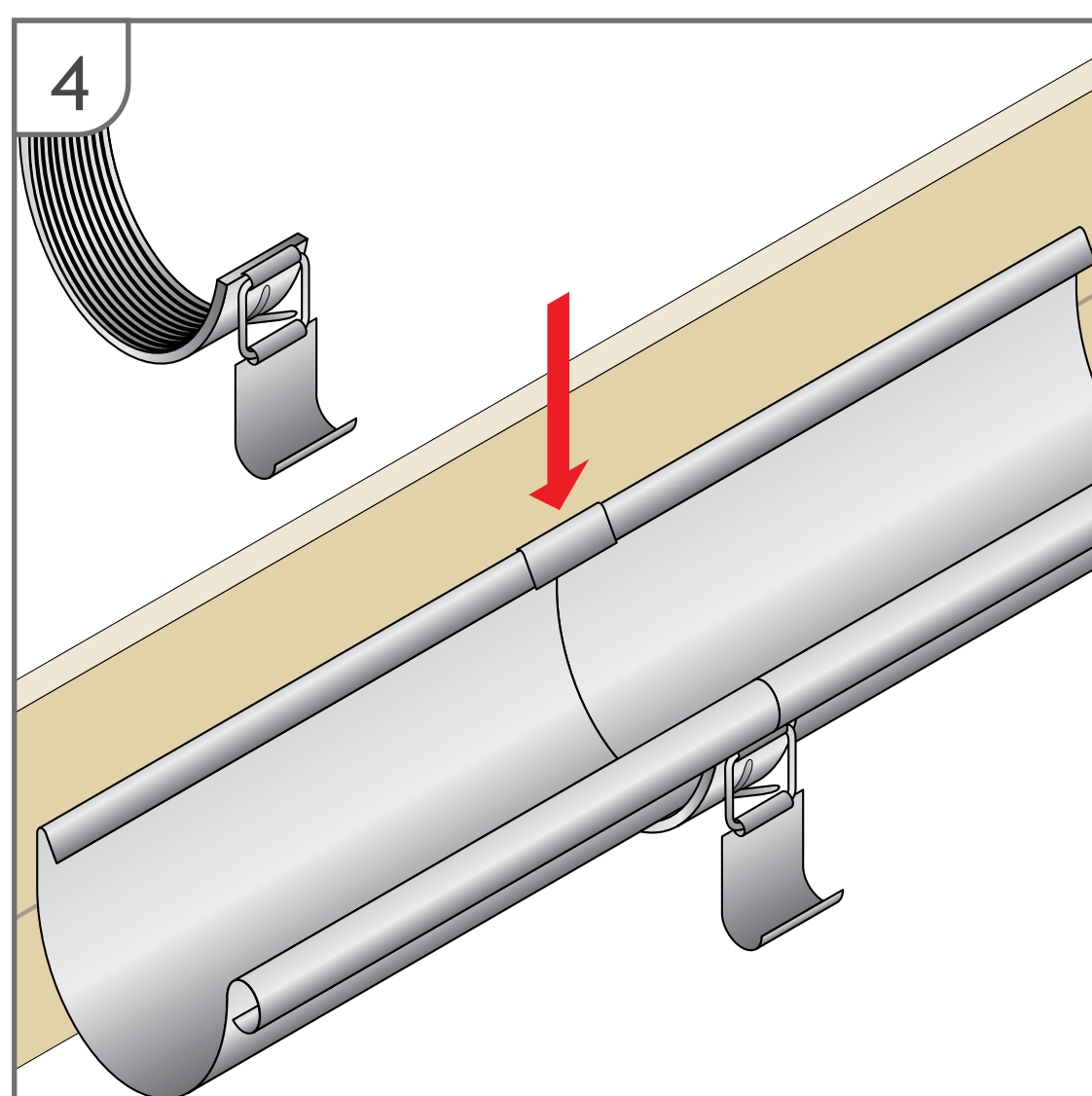
The gutter range can be connected to the steel pipework system and secured by standard pipe clips. The assembly and installation must be considered individually depending on the project, although general aspects of preparation are common to all as shown below.



- Generally position the fascia brackets at 915mm centres, using at least 3 brackets per gutter length. Use 2 screws on both the left and right fixing options and 1/no underneath the gutter securing tab.

- Use a string line to set out your fascia brackets along the gutter run allowing for a fall of 1:600 to 1:350 (max).

- A bead connector is used to join two lengths of gutter. Insert the connector into the front roll of each gutter length. Allow for a 4mm expansion gap.



- An EDPM rubber sealed union connector is used to connect the gutter lengths and angles together. Locate the union connector over the rear edge of the gutter.

- Locate the clasp over the front roll edge of the gutter. Push down on top of the clasp and squeeze the clasp shut. Fold the locking tab over to fully secure.

- Locate the gutter into the fascia bracket and seat level, then fold the front tab of the fascia bracket around the front roll and into the gutter. Fold the rear tab of the fascia bracket down and over the rear edge of the gutter.

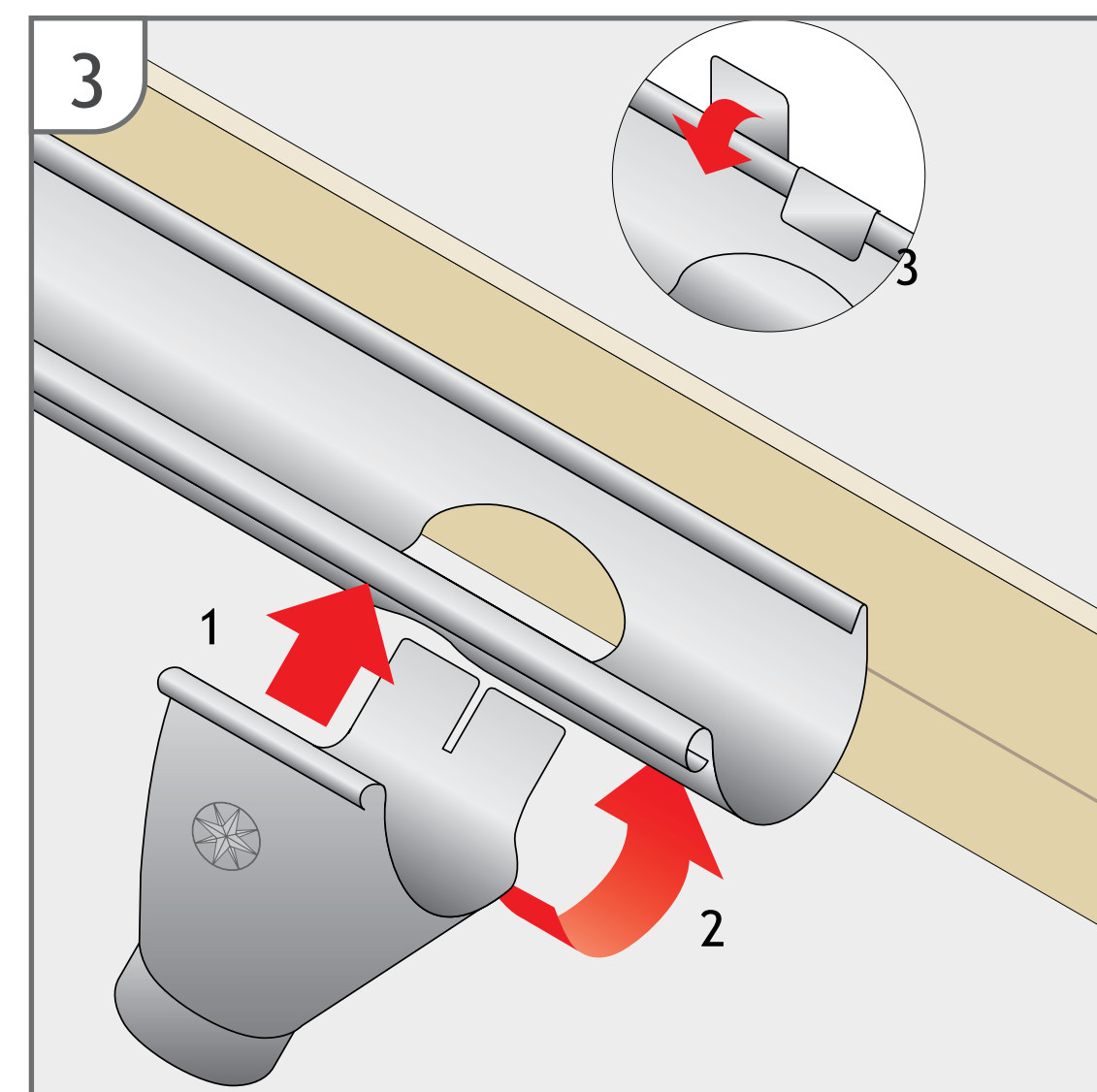
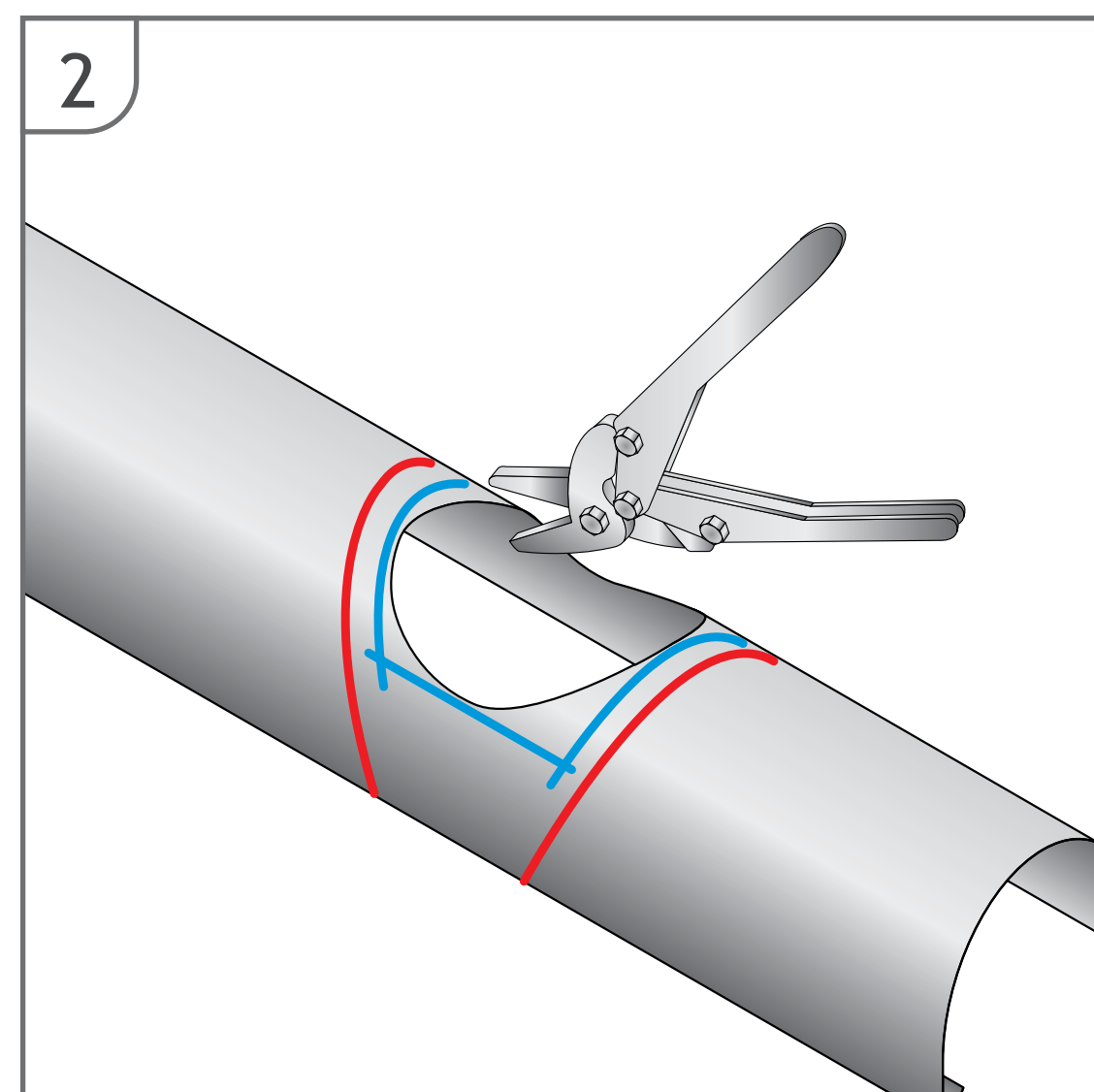
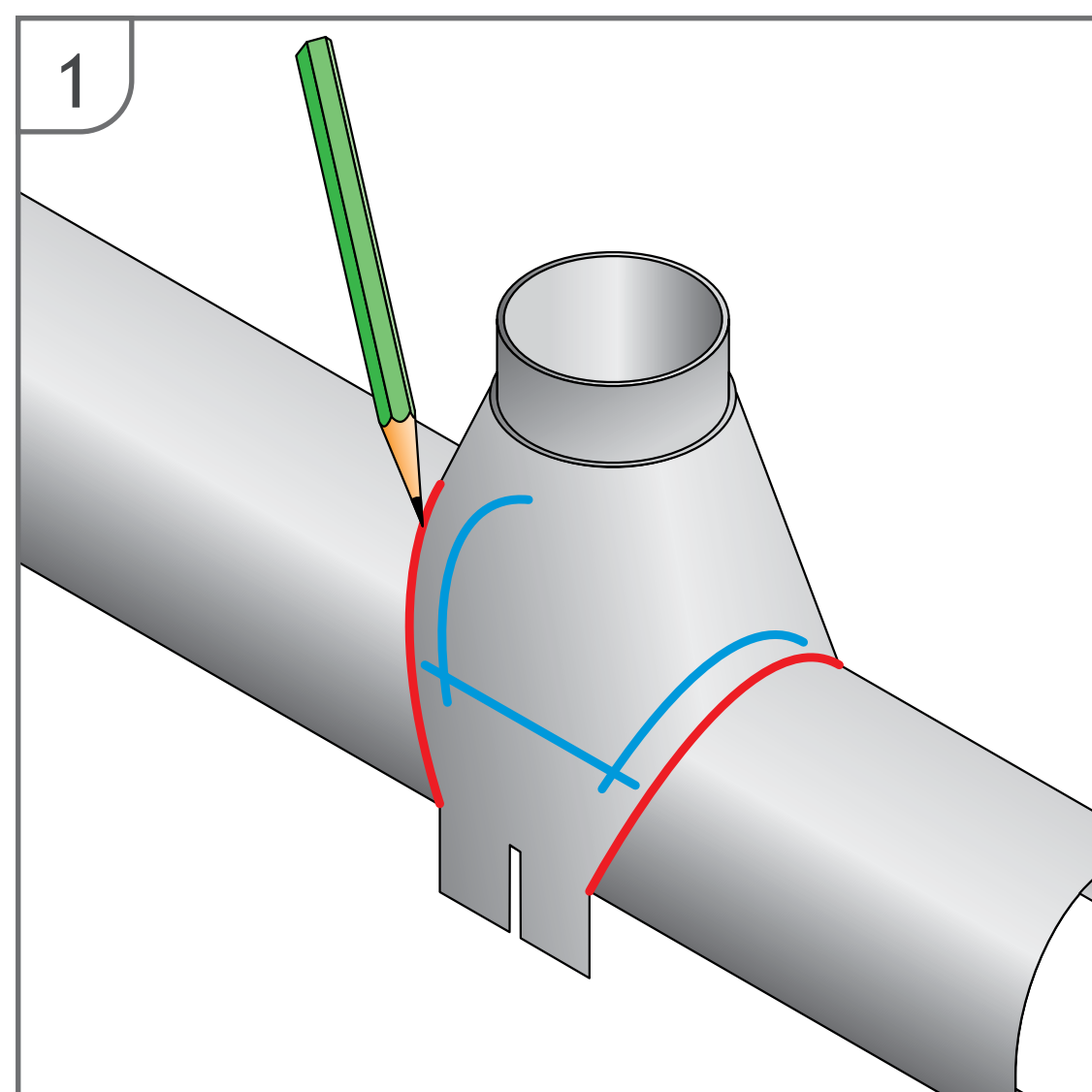
Important information

- The end/last fascia bracket on the gutter run should be placed 30 cm from the gutter end or corner. (Brackets at 915mm centres). Gutter angles are supported by two unions and don't require their own fascia bracket.
- Wear gloves when installing Plain Galv Steel: The Plain Galv will dull over time. Touching it without gloves breaks through the oily surface and starts the weathering process earlier in those areas. In a few months the 'weathering' will catch up all over.
- Try to keep pressing down on the entire surface of the rubber seal (as much as possible) throughout to encourage a good bond over the entire length of each seal.

For further information contact the Rainwater Technical Team on 01536 383 810

Circular Downpipe Installation Guide

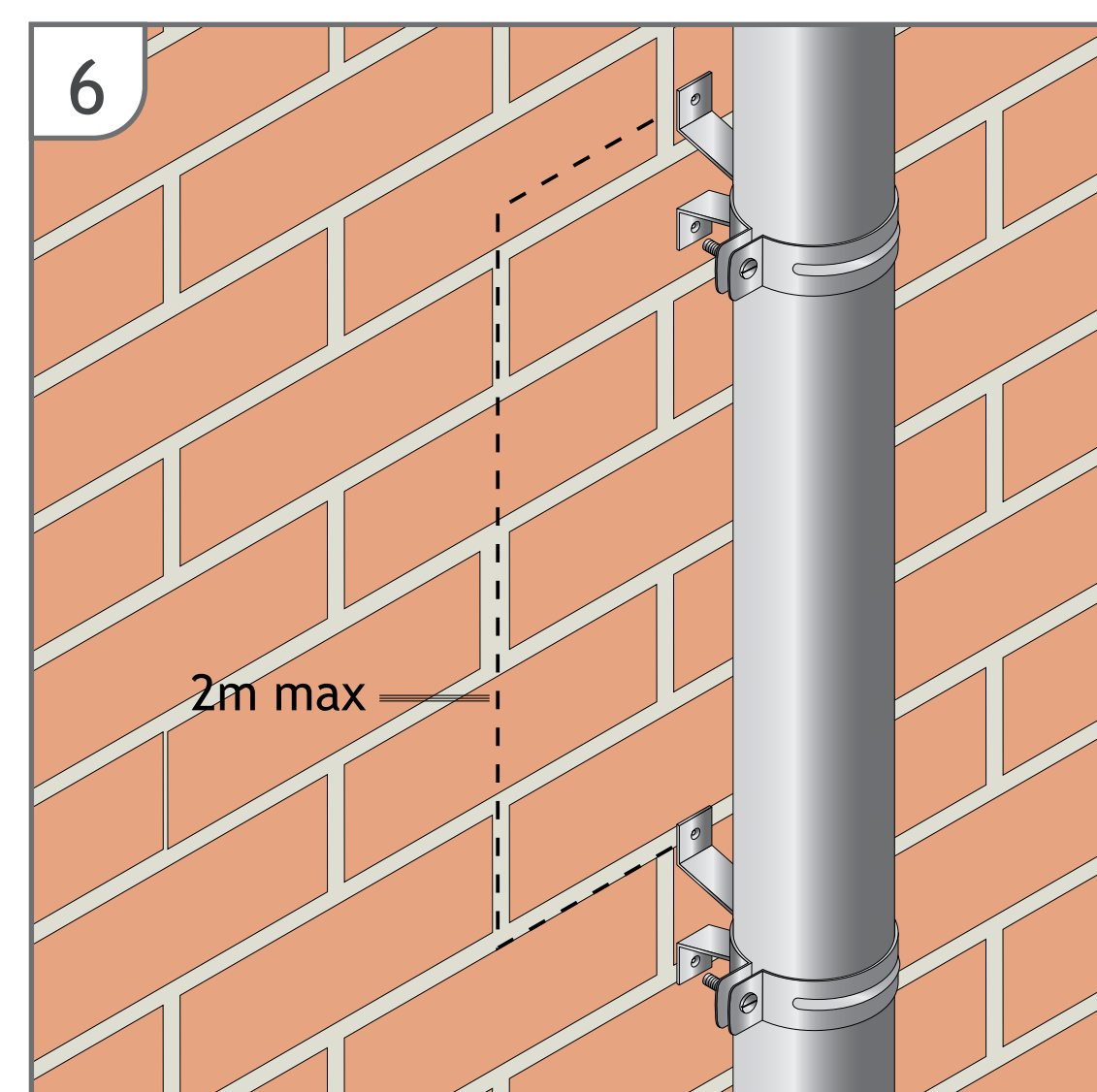
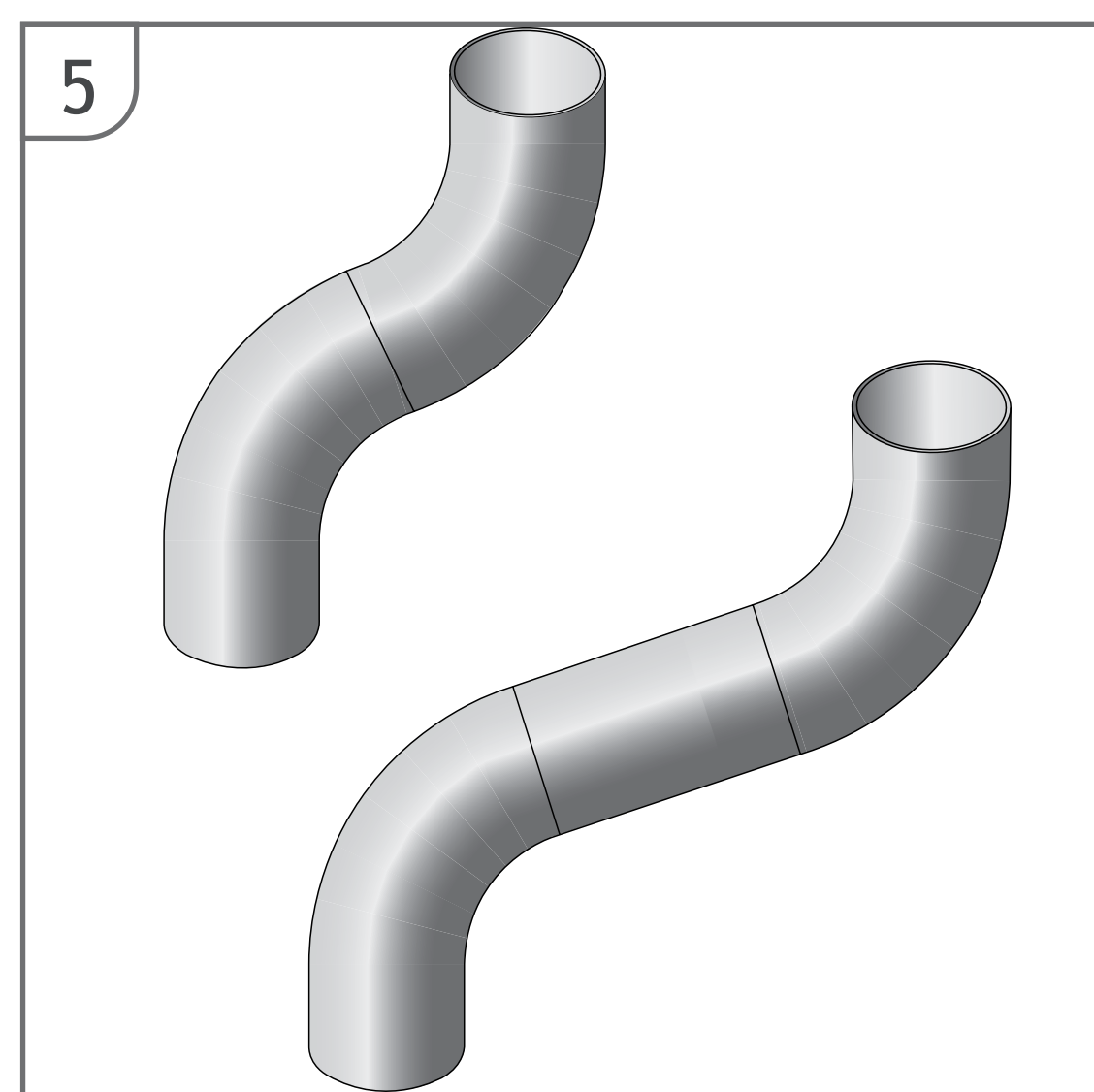
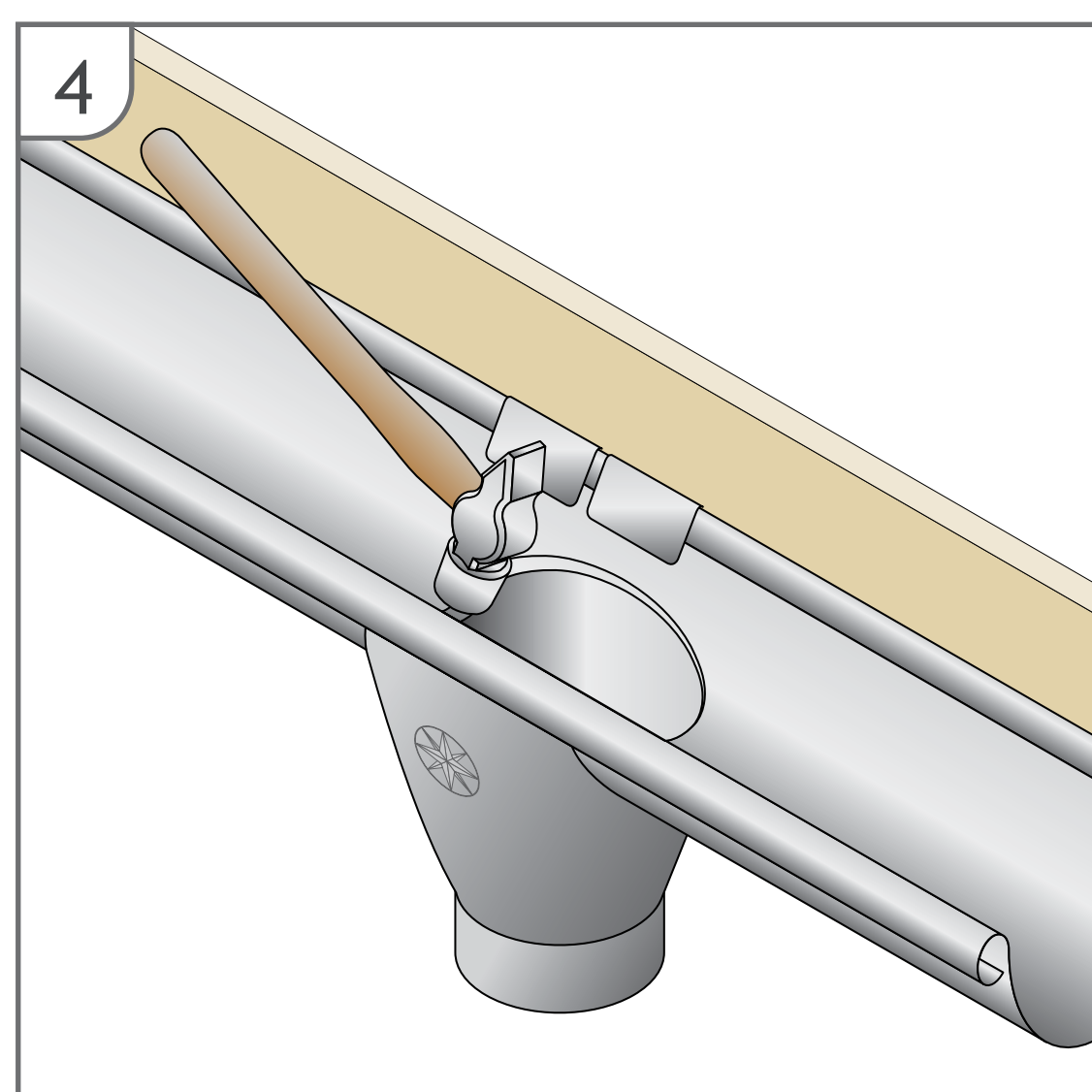
The downpipes and offsets are push-fit with 'swaged' ends, again for fast and watertight installation. The assembly and installation must be considered individually depending on the project, although general aspects of preparation are common to all as shown below.



- When installing a 'wrap around outlet' mark the desired location of the outlet by drawing a line either side of the outlet along its edge. Draw a further line 20mm inside of the outer lines and join these inner lines together in an oval pattern. This becomes the marking for the cut out hole.

- Use a hacksaw to make an initial hole in the gutter, and then use a set of tin snips to cut out the inner hole that you have marked out.

- Attach the outlet to the gutter and fold the rear tabs of the outlet over the rear edge of the gutter, making sure the outlet is aligned correctly to accept the downpipe.



- Tap the inner rough edges of the hole that was cut in the gutter, down into the outlet, to ensure a smooth flow of water.

- Offsets are achieved using 2/no 70° bends, with larger offsets being made by inserting a pipe length between the two bends.

- Downpipes should be installed using at least 2/no pipe clips per length. Mark out the clips locations and level with a spirit level or plumb line. Open the tightening screw to allow the pipe to be inserted, close the clip and re-tighten, making sure not to over tighten and damage the downpipe.

Important information

- The end/last fascia bracket on the gutter run should be placed 30 cm from the gutter end or corner. (Brackets at 915mm centres). Gutter angles are supported by two unions and don't require their own fascia bracket.
- Wear gloves when installing Plain Galv Steel: The Plain Galv will dull over time. Touching it without gloves breaks through the oily surface and starts the weathering process earlier in those areas. In a few months the 'weathering' will catch up all over.
- Try to keep pressing down on the entire surface of the rubber seal (as much as possible) throughout to encourage a good bond over the entire length of each seal.
- N.B. NEVER CUT WITH A SPINNING BLADE - zinc fumes released when galv steel is heated are toxic

For further information contact the Rainwater Technical Team on 01536 383 810

Quartz Zinc Installation Guide

The gutter range can be connected to the Quartz Zinc pipework system and secured by standard pipe clips. The assembly and installation must be considered individually depending on the project, although general aspects of preparation are common to all as shown below.



- Using a rule, make a chalkline setting the fall (min 1:200) towards the running outlet and required position of the downpipe.

- Cut the running outlet to the required length, starting from the rolled front edge.
- If possible install prefabricated outlet first due to movement when jointing lengths

- Use the Quartz Zinc adhesive to seal and fix the stop end. To avoid cuts from edges, always wear gloves when handling zinc components.



- Always use two concealed brackets to secure the running outlet.

- Do not fix brackets to the fascia until gutter is joined to the next length.
- Firmly fix the prepared running outlet according to the chalkline.

- As for the running outlet, when cutting gutter to the required length, always saw from the rolled front edge first.

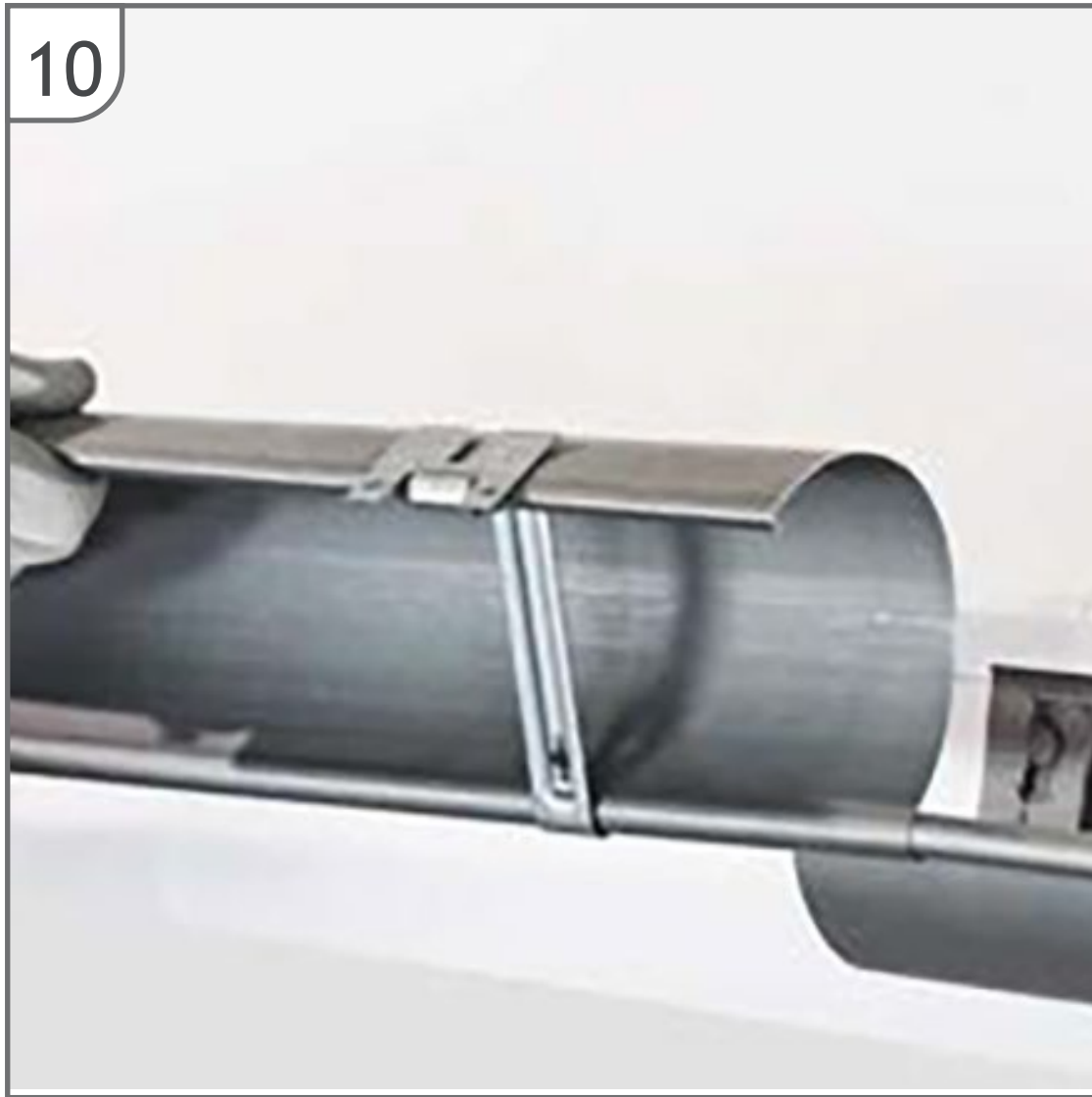


- Clip concealed brackets to the cut lengths of gutter at 400mm max centres.

- Secure each bracket to the gutter by folding in the two tabs. Then thoroughly clean the gutter joints before gluing.

- Apply two, thin, parallel beads of Quartz Zinc adhesive to the inner surface of the running outlet at max 50mm from the edge.

Quartz Zinc Installation



- Insert the prepared gutter into the already installed running outlet via the rolled front edge first. Ensure a 50mm min overlap. Pliers can be used to ease open the beading on installed gutter.



- Fix the gutter brackets according to the chalkline.

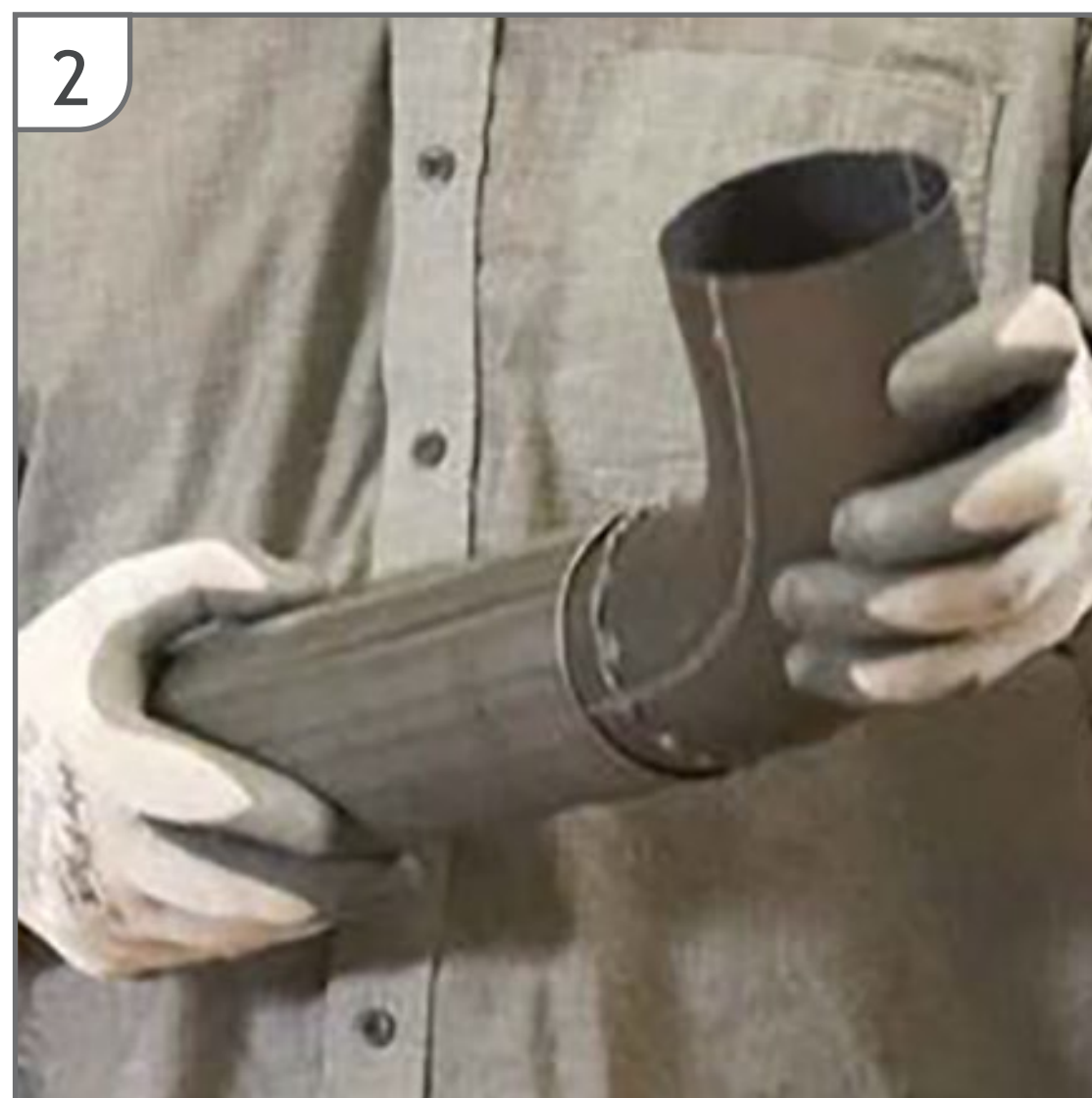


- Finally, fit the other stop end.

Installing the downpipes



- Take two bends and measure the distance from the wall.



- Once measured, fit the two bends together. It may be necessary to extend the assembly using a piece of downpipe.



- At downpipe joints, mark positions for the v-locks at every 2 metres (maximum). Then firmly screw-fix the v-lock to the wall.



- Place the self-locking bracket on the end of each pipe, then slide the assembly neatly into the v-lock to complete the installation.

Important information

- The end/last fascia bracket on the gutter run should be placed 30 cm from the gutter end or corner. (Brackets at 400mm centres). Gutter angles are supported by two unions and don't require their own fascia bracket.
- Wear gloves when installing.
- N.B. NEVER CUT WITH A SPINNING BLADE - zinc fumes released when galv steel is heated are toxic

Product Storage

To ensure that your product is in the best possible condition for installation, we advise that it is stored on-site in the following manner

In accordance with industry best practice please note that:

If galvanised steel products are not stored correctly, they can be affected by corrosion, also known as “white rust”.

Suitable provisions must be made during transport or storage to reduce the risk of white rust. All Galvanised steel products must be stored inside or under cover, in a clean and dry environment and free of any chemical interaction.

Rapid temperature changes lead to condensation and as a consequence can lead to white rust on galvanised steel. So all stock must be kept in constant temperature over dew point.

All stocks must be kept on wooden or metal pallets to avoid ground contact. It is best practice to avoid storing galvanised steel material outside. However, if this is unavoidable, the below precautions must also be taken in addition to the above steps:

- Build a simple frame around the packets or coils and cover them with a waterproof film, tarpaulin or similar cover. Allow for space between the packets or coils and the waterproof cap so that air can circulate freely. Stock the packets without ground contact at a slight incline so that the rain can drain off the cap.
- Check the stock area regularly in order to avoid wetness of the material. Be aware of the fact that all articles (stored at bottom, top or centre of a pallet) might get wet because of the condensation and this water may not be able to flow away.
- Keep the period of outside stocking as short as possible especially during the summer season as the elevated temperatures speed up the white rust process.

Frequently Asked Questions

Q: *How long should my gutters last?*

A: The Infinity rainwater systems are manufactured in Germany using the latest in both material and manufacturing technology. Selected finishes within the steel system comes with up to a 20 year product warranty and will last in excess 25-50 years with regular maintenance.

Q: *Is the system low maintenance?*

A: The only recommended maintenance is an annual clearing of leaves and debris after the autumn leaves have fallen. The outside surface can simply be washed down with warm soapy water to remove any green moss or algae.

Q: *Will the colour fade?*

A: The natural galvanised, copper and zinc finishes will simply weather over time and dull slightly to give a natural oxidised finish. The colour ranges are UV resistant and unlike plastic will not fade or crack in the sun.

Q: *Do steel gutters crack like plastic?*

A: Steel is a malleable material and extremely strong, unlike plastic steel has low thermal expansion which means that it is not vulnerable to the varying temperatures of the UK climate and therefore will not crack.

Q: *Will the joints leak?*

A: The infinity system uses a tried and tested jointing system that incorporates a high quality EPDM rubber seal together with a hinged clasp mechanism that ensures complete joint integrity and leak free joints.

Q: *Can Galvanised Steel be used with any roof covering?*

A: Most standard roof coverings such as slate, clay tiles, concrete tiles and metal sheets are compatible with Galvanised Steel but specialist material such as cedar shingles or other wooden roof tiles should be avoided due to the acidity of the water run-off. Infinity is available in Zinc and Copper for these applications, please enquire with our technical service team for advice on such applications.

Q: *Can infinity rainwater systems be recycled at the end of it's life?*

A: The Infinity Steel Rainwater system is 100% recyclable, unlike plastic, metal products have a commodity value at the end of their life which means that they are much less likely to go into landfill.

Q: *How do I calculate what I need?*

A: Download our drainage calculator at www.alumascwms.co.uk, or if you have a drawing for your project then you can send it to us and we'll work out exactly what you need and provide a written quotation. If you don't have any drawings and need to talk through your project then call us on 01536 383 810.

Q: *I'm worried about the coating being scratched or damaged during installation?*

A: Due care should be taken during installation, however, the infinity gutter length are supplied with a protective film that is peeled off during installation. Furthermore the robust coating is scratch resistant and is pretty durable during and long after installation.

Q: *Where can I find a recommended installer?*

A: Infinity rainwater system can be installed by most competent builders or DIYers, For further information on our recommended installer network or to discuss your project call us on: 01536 383 810

Q: *What if I have difficulty in fitting your guttering?*

A: Infinity is a very easy to fit, we have installation guides available online at www.alumascwms.co.uk or if you prefer to speak to someone then call one of our helpful technical team on 01536 383 810

Q: *The fascia overhangs the wall by 350mm. How do I fix my downpipes so they fall in line with the wall?*

A: You need to incorporate an offset, or combine two bends to create a 'swan neck' offset.

Q: *I don't have a fascia board on my property how would I fix my gutter?*

A: You can use either a top or side rafter bracket, which of these will be suitable depends on how much access you have to rafters. We also offer rise and fall brackets - a stake is bedded between the brick-work with a support bracket with alterable height so you can incorporate a fall should you wish.

Q: *Why is the lifetime value of steel cheaper than plastic?*

A: When replacing your guttering and roofline system, the material is only one element of the cost, installation and scaffolding costs can amount to a significant part of the overall cost therefore when you consider having to replace plastic 2-3 times to steel's 1 life-cycle then steel becomes the obvious choice for long term, low maintenance, low cost trouble free protection for your home. And remember, it won't fade, crack or leak.

Rainwater System Design

Alumasc Technical Services is a fully experienced team of Rainwater specialists who use the latest CAD technology and calculation tools to provide an unrivalled support service to architects, designers and contractors.

Alumasc Rainwater Drainage Design Service

Alumasc Technical Services use a dedicated design platform in conjunction with the requirements of BS EN 12056:2000: Gravity drainage systems inside buildings - Part 3, to calculate the most appropriate Alumasc rainwater system to suit project requirements.

The gutter flow software automatically checks the capacity of downpipes used and suggests the minimum size downpipe for the specific application.

Calculation Criteria

Calculation of the most efficient drainage solution takes into consideration the following criteria:

- Catchment area
- Local rainfall intensity
- Building life and safety factor
- Size and flow rate of gutters
- Frequency and size of outlets and downpipes

To use our drainage platform click here

Sizing of Gutters and Downpipes

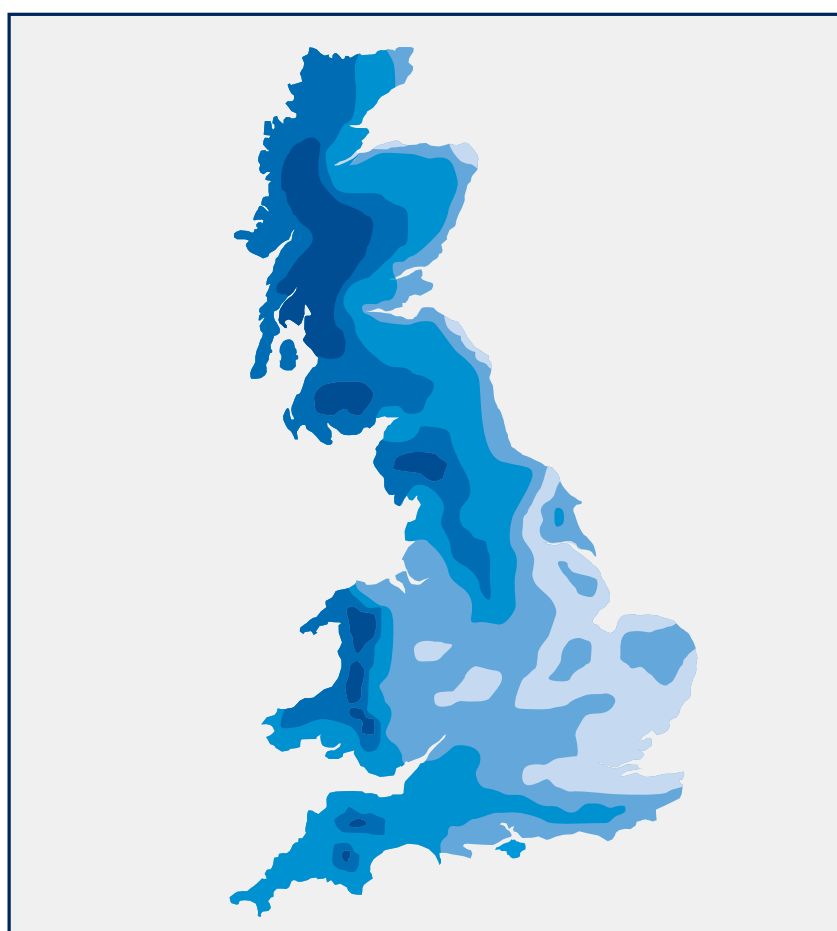
The level of rainfall any given roof drainage system should be able to cope with is based on the position of the gutter, the potential use of the building and its projected lifespan. All true eaves gutters (external) are designed using a 1-year storm event. This is generally accepted because overflow from an external eaves gutter will fall clear of the building, which is not normally a problem. Any gutter which is classed as internal, even if it is at the eaves, should be designed for an intensity based on the building life and a suitable factor of safety.

This factor will vary from 1.5 for conventional buildings to 4.5 for very important structures. For most buildings a 60-year life and safety factor of 1.5 would be the most suitable (90-year protection life).

All the parameters of flow calculations cannot be captured using a single formula. The guide below provides a basic method for calculating flow requirements. For accurate project-specific specification advice on rainwater flow calculations, contact Alumasc Technical Services.

Step 1

Geographical Location and Rainfall Intensity Maps

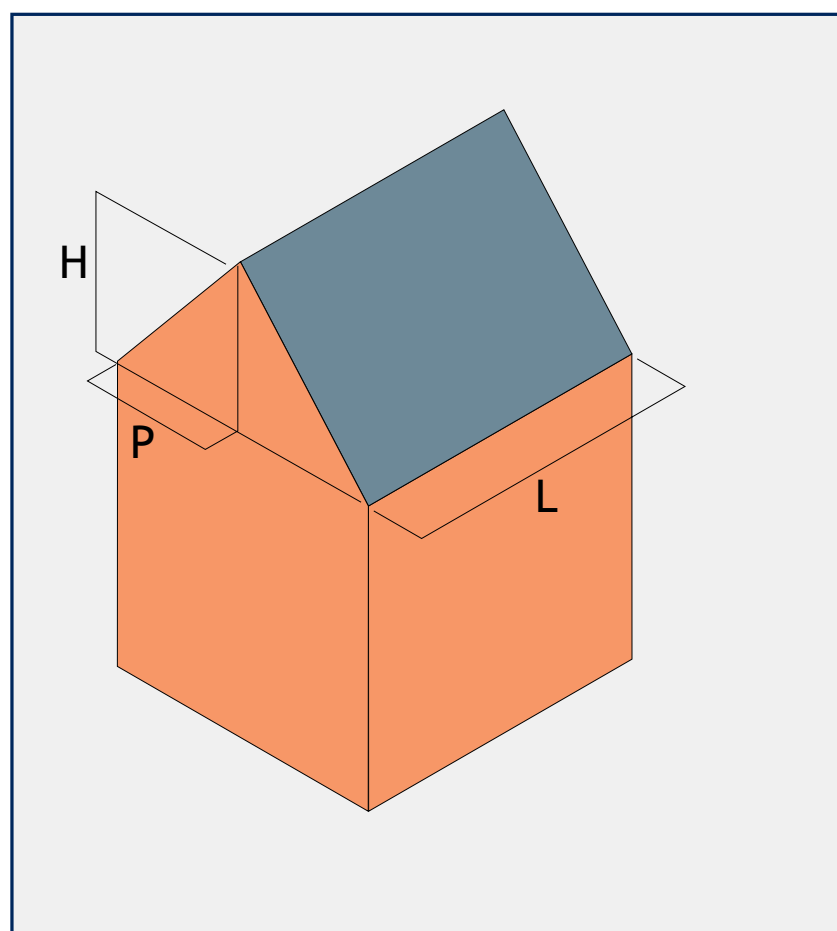


BS EN 12056-3: 2000 contains maps showing rainfall intensity in litres/second per m² for 1-, 5-, 50- and 500-year storms of 2-minute duration.

(All external gutters designed for 1-year event).

Step 2

Calculating Catchment Area



$$CA = (P+H/2) \times L$$

CA = Catchment area in square metres

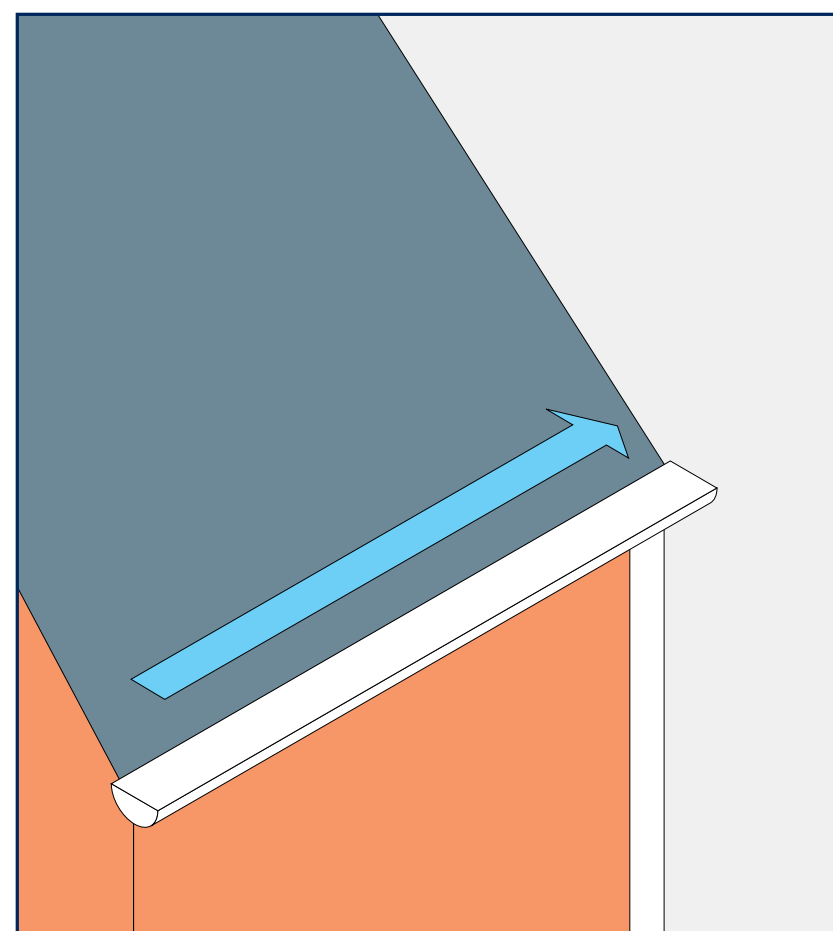
P = Horizontal distance between eaves and ridge

H = Height of roof

L = Length of eaves

Step 3

Frequency and Positioning of Outlets/Downpipes



Calculate the number of outlets per run.

Step 4

Calculate Flow Requirements

Overall Rainfall:

$$\text{Catchment Area (CA)} \times \text{Rainfall Intensity (RI)} = \text{Overall Rainfall (OR)}$$

Flow Rate Per Outlet:

$$\text{Overall Rainfall (OR)} \div \text{Number of Outlets} = \text{Flow Rate Per Outlet}$$

Choose Gutter/Outlets according to published Flow Rate capacities

Note:

Depending on building type, a safety factor should be allowed for the sizing of internal gutters. Contact Alumasc Technical Services for further information.

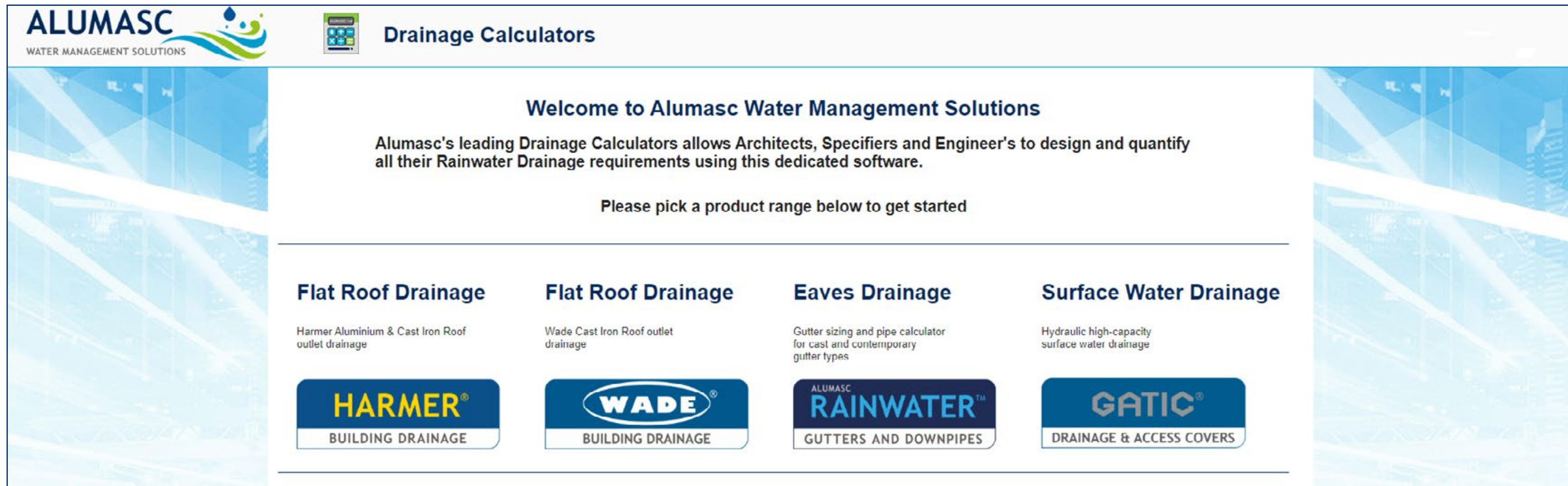
Technical Support

Alumasc Water Management Solutions' leading Drainage Calculator allows architects, specifiers and building engineers to design and quantify all their rainwater drainage requirements using this dedicated platform. Access our NEW Drainage Calculator from:

www.alumascwms.co.uk/knowledge/drainage-calculator/

Drainage Calculator

Architects and Building Services Engineers can now design and quantify all their rainwater drainage requirements using Alumasc's dedicated free drainage calculation software.

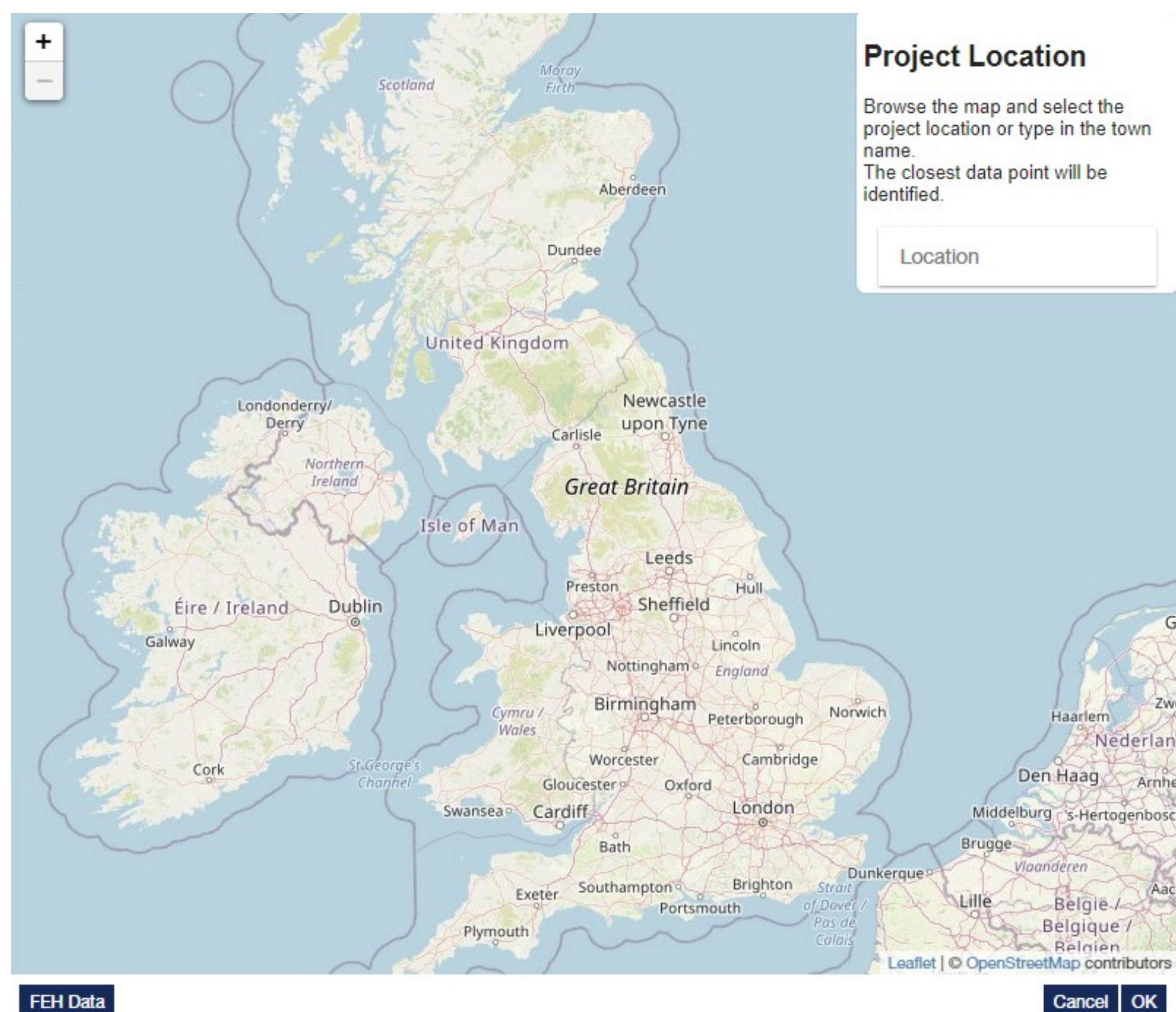


Key Features

- Category 2 and 3 Flat Roof Drainage linked to local rainfall data
- Eaves drainage gutter sizing and pipe calculator, for cast and contemporary gutter types
- Slotdrain hydraulic surface water drainage calculator
- New rainfall map allowing customer to define exact location for rainfall data
- Ability to import FEH data sets for client's personal use
- Online login with ability to save progress and return at a later date, from any device and any location
- No installation required, just an internet connection
- "Practise" feature allowing engineers, architects and contractors to share and view calculations with their colleagues
- Regular updates & new features
- Links to NBS Specification, detailed drawings and help pages
- Contact Us gives customer the correct point of contact for the brand
- Export to PDF & Excel Calculation Document provides a printout of the calculation and product selection



Click here to visit the website or scan the QR code and register for full access.



In collaboration with NBS Source, Alumasc products are listed on the NBS library to allow architects and specifiers quick and easy access to the correct product specification and respective clauses. The table below lists applicable clauses for each of the Rainwater products; some products fall into one or more category and will vary by application.

Typical clauses are listed below; for specific advice and guidance on specification clauses, please contact the Rainwater technical team on 01536 383810.



Product Range	Classification	Uniclass		CAWS	
		Uniclass Code	Title	CAWS Code	Title
Aluminium Gutters	Primary	Pr_65_50_35_06	Aluminium Eaves Gutters	R10/11	Aluminium gutters
	Additional			R10/311	Aluminium gutters
Aluminium Downpipes	Primary	Pr_65_52_03_04	Aluminium Rainwater Pipes and Fittings	R10/30	Aluminium pipework
	Additional			R10/370	Aluminium pipework
Cast Iron Gutters	Primary	Pr_65_50_35_11	Cast Iron Eaves Gutters	R10/12	Cast Iron gutters
	Additional			R10/315	Cast Iron gutters
Cast Iron Downpipes	Primary	Pr_65_52_03_11	Cast Iron Rainwater Pipes and Fittings	R10/380	Cast iron pipework - spigot and socket
	Additional				
Steel Gutters	Primary	Pr_65_50_35_29	Galvanised Steel Combined Fascias Soffits and Gutters	R10/311	Steel gutters
	Additional				
Steel Downpipes	Primary	Pr_65_50_35_29	Galvanised Steel Combined Fascias Soffits and Gutters	R10/370	Steel pipework
	Additional				

Aluminium Example

Manufacturer: Alumasc Water Management Solutions, Station Road, Burton Latimer, Kettering, Northants NN15 5JP. 01536 383810. Email: info@alumascwms.co.uk

Product reference: Use product name and product code e.g., Heritage Cast Aluminium Rainwater System

Material/grade: Made from LM2 and LM6 grades of Aluminium alloy to BS EN 1559:1997, BS EN 1676:1997 and BS EN 1706:1998

Extruded from 6063 T6 alloy to to BS 1474:1972 Made from aluminium sheet to BS EN515:1993

Size/Profile: Standard sizes and profiles

Finish/Colour: Polyester powder coated to BS EN 12206-1:2004 as per architect's requirements. Coating to have BBA certificate

Accessories: Corners, angles, closer pieces, as required to architects design

Other requirements: Main structure and support carrier and fixation by others, contractor to site cut/trim as required and level and line through

Method of jointing: Refer to individual range installation guide

Method of support/fixing: Refer to individual range installation guide

Cast Iron Example

Manufacturer: Alumasc Water Management Solutions, Station Road, Burton Latimer, Kettering, Northants NN15 5JP. 01536 383810. Email: info@alumascwms.co.uk

Product reference: Use product name and product code e.g., Apex Heritage Cast Iron Rainwater System

Material/grade: Complies with BS 460:2002 Cast Iron Rainwater Goods

Size/Profile: Standard sizes and profiles

Finish/Colour: Apex certified painted finish

Accessories: Corners, angles, closer pieces, as required to architects design

Other requirements: Main structure and support carrier and fixation by others, contractor to site cut/trim as required and level and line through

Method of jointing: Refer to individual range installation guide

Method of support/fixing: Refer to individual range installation guide

Steel Example

Manufacturer: Alumasc Water Management Solutions, Station Road, Burton Latimer, Kettering, Northants NN15 5JP. 01536 383810. Email: info@alumascwms.co.uk

Product reference: Use product name and product code e.g., Infinity Steel Rainwater System

Material/grade: Made from Mild Steel

Size/Profile: Standard sizes and profiles

Finish/Colour: Galvanised or polyester powder coated to BS EN 12206-1:2004

Accessories: Corners, angles, closer pieces, as required to architects design

Other requirements: Main structure and support carrier and fixation by others, contractor to site cut/trim as required and level and line through

Method of jointing: Refer to individual range installation guide

Method of support/fixing: Refer to individual range installation guide

General specification clauses for Alumasc rainwater systems are provided below. For project specific specification advice, contact Alumasc Technical Services.

EXECUTION CLAUSES

600 PREPARATION, ENSURE:

- Below ground drainage is ready to receive rainwater or that the discharge can be dispersed by approved means to prevent damage or disfigurement of the building fabric.
- Any specified painting of surfaces which will be concealed or inaccessible is completed.

605 INSTALLATION GENERALLY:

- Install pipework/gutters to ensure the complete discharge of rainwater from the building without leaking.
- Obtain all components for each type of pipework/guttering from the same manufacturer unless specified otherwise.
- Provide access fittings and rodding eyes as necessary in convenient locations to permit adequate cleaning and testing of pipework.
- Avoid contact between dissimilar metals and other materials which would result in electrolytic corrosion.
- Do not bend plastics or galvanised steel pipes.
- Adequately protect pipework/gutters from damage and distortion during construction. Fit purpose made temporary caps to prevent ingress of debris. Fit all access covers, cleaning eyes and blanking plates as the work proceeds.
- Where not specified otherwise use plated, sherardised, galvanised or nonferrous fastenings, suitable for the purpose and background, and compatible with the material being fixed.

610 FIXING AND JOINTING GUTTERS:

- Fix securely at specified centres and at all joints in gutters, with additional brackets near angles and outlets.
- Provide for thermal and building movement when fixing and jointing, and ensure that clearances are not reduced as fixing proceeds.
- Seal as specified to make watertight.
- Spread jointing compound evenly over jointing face of socket.
- For gutters with bolted joints, tighten joints in the gutter sole before any other bolts. Fit suitable washers and spacers to prevent overtightening, unless specified otherwise.
- Tighten fixing to squeeze out some compound.
- Remove surplus, squeezed out compound and neatly clean off.
- Ensure that roofing underlay is dressed into gutter.

615 SETTING OUT EAVES GUTTERS - TO FALLS

- Set out to a true line and even gradient to ensure no ponding or backfall. Position high points of gutters as close as practical to the roof and low points not more than 50mm below the roof.
- Position outlets to align with connections to below ground drainage, unless shown otherwise on drawings.

630 RAINWATER OUTLETS, ENSURE THAT:

- Outlets are securely fixed before connecting pipework.
- Junctions between outlets and pipework can accommodate all movement in the structure and pipework.

435 FIXING PIPEWORK:

- Fix securely at specified centres plumb and/or true to line.
- Make changes in direction of pipe runs only where shown on drawings unless otherwise approved.
- Fix branches and low gradient sections with uniform and adequate falls to drain efficiently.
- Fix externally socketed pipes/fittings with sockets facing upstream.
- Provide additional supports as necessary to support junctions and changes in direction.
- Fix every length of pipe at or close below the socket collar or coupling.
- Provide a load bearing support for vertical pipes at not less than every storey level. Tighten fixings as the work proceeds so that every storey is self supporting and undue weight is not imposed on fixings at the base of the pipe.
- Isolate from structure where passing through walls or floors and sleeve pipes as specified in Section P31.
- Provide for thermal and building movement when fixing and jointing, and ensure that clearances are not reduced as fixing proceeds.
- Fix expansion joint pipe sockets rigidly to the building and elsewhere use fixings that allow the pipe to slide.

650 JOINTING PIPEWORK/GUTTERS:

- Joint using materials, fittings and techniques which will make effective and durable connections.
- Joint differing pipework/gutter systems with adaptors recommended by manufacturer(s).
- Cut ends of pipes to be clean and square with burrs and swarf removed. Chamfer pipe ends before inserting into ring seal sockets.
- Ensure that jointing or mating surfaces are clean, and where necessary lubricated, immediately before assembly.
- Form junctions using fittings intended for the purpose ensuring that jointing material does not project into bore of pipes, fittings and appliances.
- Remove surplus flux/solvent/cement/sealant from joints.

675 COATED PIPEWORK/GUTTERS:

- Make good to coatings after cutting and any other damage or recoat, as recommended by the manufacturer.

685 IDENTIFICATION OF INTERNAL RAINWATER PIPEWORK:

- To BS 1710 using self-adhesive bands or identification clips located at junctions, at both sides of each slab, bulkhead and wall penetration, and elsewhere as directed.

690 ELECTRICAL CONTINUITY:

- Use clips or suitable standard couplings supplied for the purpose by pipework manufacturer to ensure electrical continuity at all joints in metal pipes with flexible couplings and which are to be earth bonded.

700 ACCESS FOR TESTING AND MAINTENANCE:

- Install pipework and gutters with adequate clearance to permit testing, cleaning and maintenance.
- Position access fittings and rodding eyes so that they are not obstructed by other pipework, framing, etc.

COMPLETION CLAUSES

900 TESTING GENERALLY:

- Inform the contractor administrator sufficiently in advance to give him a reasonable opportunity to observe tests.
- Check that all sections of installation are free from obstruction and debris before testing.
- Provide clean water, assistance and apparatus for testing as required.
- Carry out tests as specified. After testing, locate and remedy all defects without delay and retest as instructed.
- Keep a record of all tests and provide a copy of each to the contractor administrator.

905 INTERNAL PIPEWORK TEST - ENGLAND, WALES AND NORTHERN IRELAND:

- Temporarily seal open ends of pipework with plugs.
- Connect a 'U' tube water gauge and air pump to the pipework via a plug.
- Pump air into pipework until gauge registers 38mm.
- Allow a period for temperature stabilisation, after which the pressure of 38mm is to be maintained without loss for not less than 3 minutes.

906 INTERNAL PIPEWORK TEST- SCOTLAND

- Standard - To BSEN12056-3:2000, National Annex NG

910 GUTTER TEST:

- Block all outlets, fill gutters to overflow level and after 5 minutes closely inspect for leakage.

915 MAINTENANCE INSTRUCTIONS

- At completion, submit printed instructions recommending procedures for maintenance of the rainwater installation including full details of the recommended inspection, cleaning and repair procedures.

920 IMMEDIATELY BEFORE HANDOVER:

- Remove construction rubbish and debris from all roofs and gutters. Where possible, sweep and remove fine dust which may enter rainwater systems. Do not sweep or flush dust or debris into the rainwater system.
- Remove swarf, debris and temporary caps from the entire rainwater installation.
- Ensure that all access covers, rodding eyes, outlet gratings, etc., are secured complete with all fixings.



Contemporary, eco-friendly rainwater systems

AWMS
Station Road
Burton Latimer
Northamptonshire
NN15 5JP
+44 (0) 1536 383 810
info@alumascwms.co.uk



All reasonable care has been taken in the preparation of this brochure, all information, recommendation and guidance notes on the use of The Products are made without guarantee since the conditions of use are beyond the control of Alumasc Building Products Limited (The company). The customer is responsible for ensuring that each product is fit for its intended purpose and that conditions are suitable. The information contained in this brochure and advice arising there from is free of charge and accordingly on the terms that no liability nor liability for negligence will be attached to The Company or its servants in relation to any such service arising out of or in connection with this brochure. The Company pursues a policy of constant product development and information contained in this publication is therefore subject to change without notice.